



DESCRIPTION

# 51EU/3

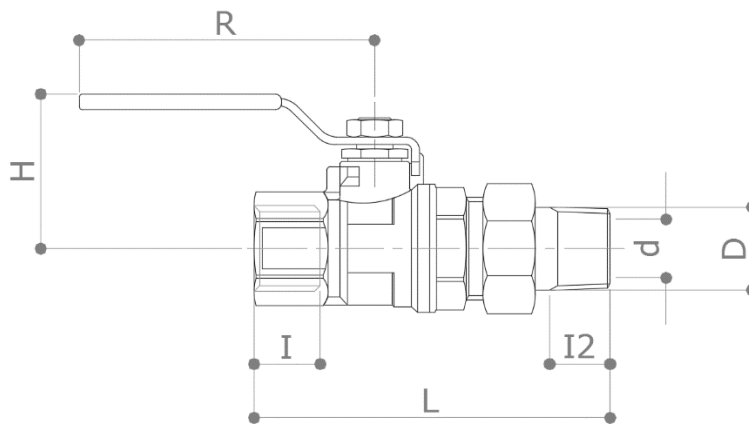
F x tail piece heavy duty full-flow ball valve, low lead and nickel emission.

Reversible green steel handle.

Anti-legionella ball with additional bore on the bottom to avoid water stagnation in the space between the ball and the body.

Conform to EN 13828

DIMENSIONS



D	½" x ½"	¾" x ¾"	1" x 1"	1 ¼" x 1 ¼"
d	15	20	25	32
H	39	49	61	66
I	17	18	21.5	23.5
I2	13	14	16	18.5
L	93	105	119	135
R	75	95	120	120
Weight [g]	310	500	850	1240

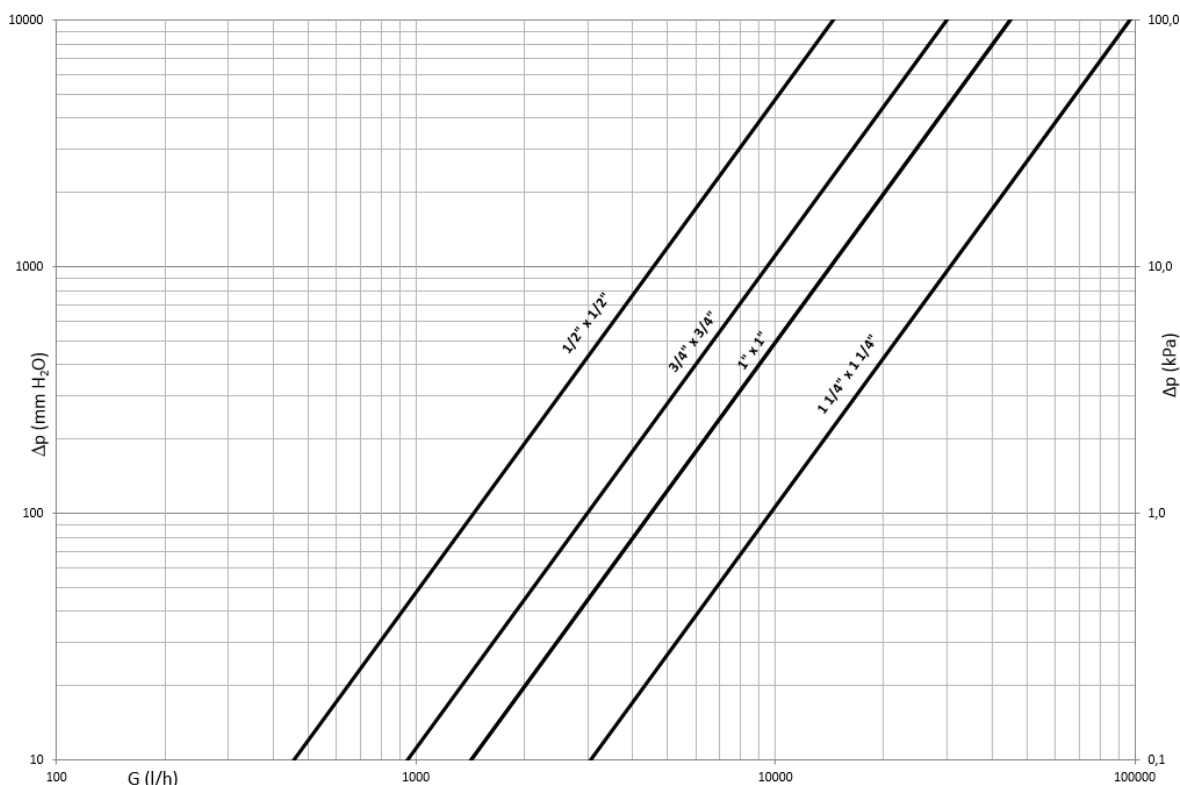
Dimensions in mm

All threads are conform to ISO 7 or ISO 228 standards

MATERIALS

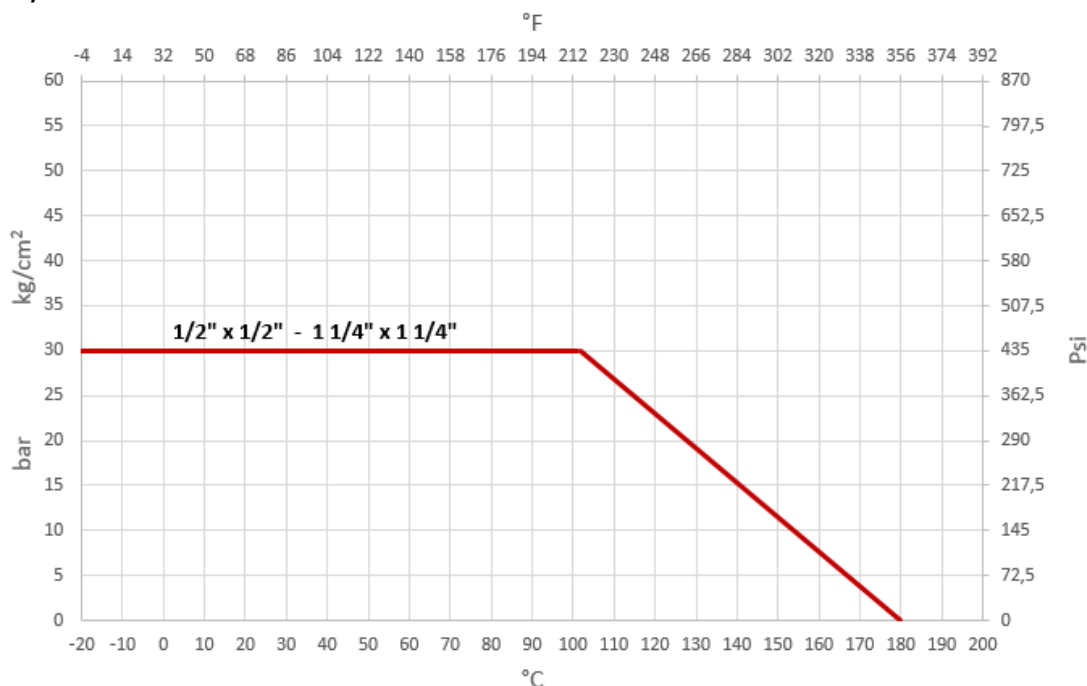
- Body** CW617N (EN 12165) CuZn40Pb2 T.E.A. plated
- Ball** CW617N (EN 12165) CuZn40Pb2 T.E.A. plated
- Stem** CW614N (EN 12164) CuZn39Pb3
- Stuffing box** CW614N (EN 12164) CuZn39Pb3 Adjustable
- Seat** 2 x PTFE + 1 x PTFE seal on the stem
- O-Rings** 2 x FKM
- Handle** Delta Protect coated steel. PVC grip with "Pad printing"

**PRESSURE DROP DIAGRAM**



Dim.	1/2" x 1/2"	3/4" x 3/4"	1" x 1"	1 1/4" x 1 1/4"
Kv	14.5	30	45	97
PN	30	30	30	30

**TEMPERATURE / PRESSURE DIAGRAM**



**RECOMMENDED WORKING TEMPERATURE/PRESSURE LIMITS**

- 30 bar – 100°C – non shock
- 10 bar – 150°C – non shock
- 20°C: lower temperature limit with 50% glycol. No frost.