



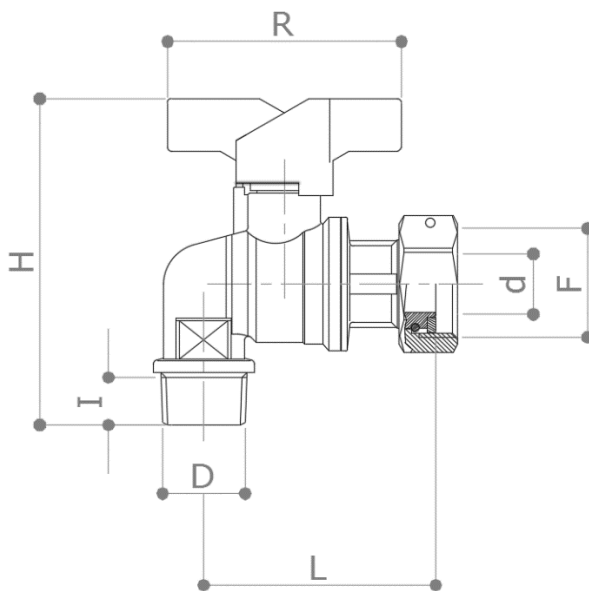
DESCRIPTION

# 209B/1

F (free nut) x M angle ballvalve for water meter. Anti-legionella ball with additional bore on the bottom to avoid water stagnation in the space between the ball and the body. Nickel plated. Blue butterfly handle. Available with green butterfly handle **209V/1** and red butterfly handle **209/1**.

Conform to **EN 13828**

DIMENSIONS



F x D	3/4" x 1/2"	3/4" x 3/4"
d	15	15
H	80	83
I	13	15
L	57.5	57.5
R	58	58
Weight [g]	270	285

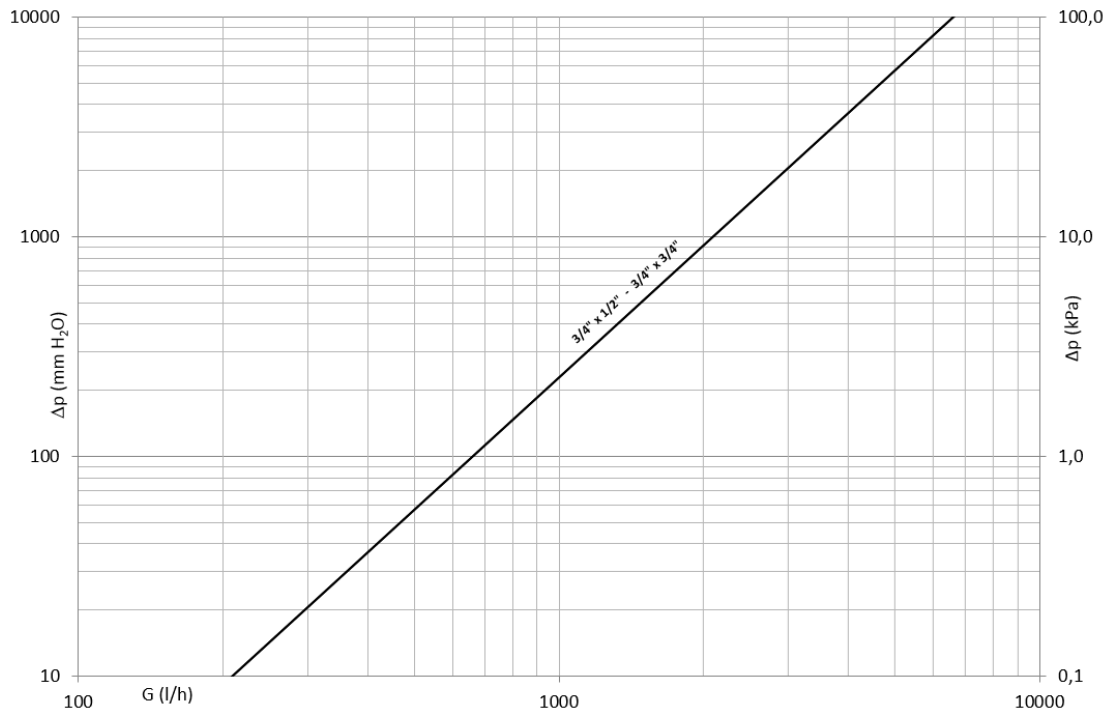
Dimensions in mm

All threads are conform to ISO 7 or ISO 228 standards

MATERIALS

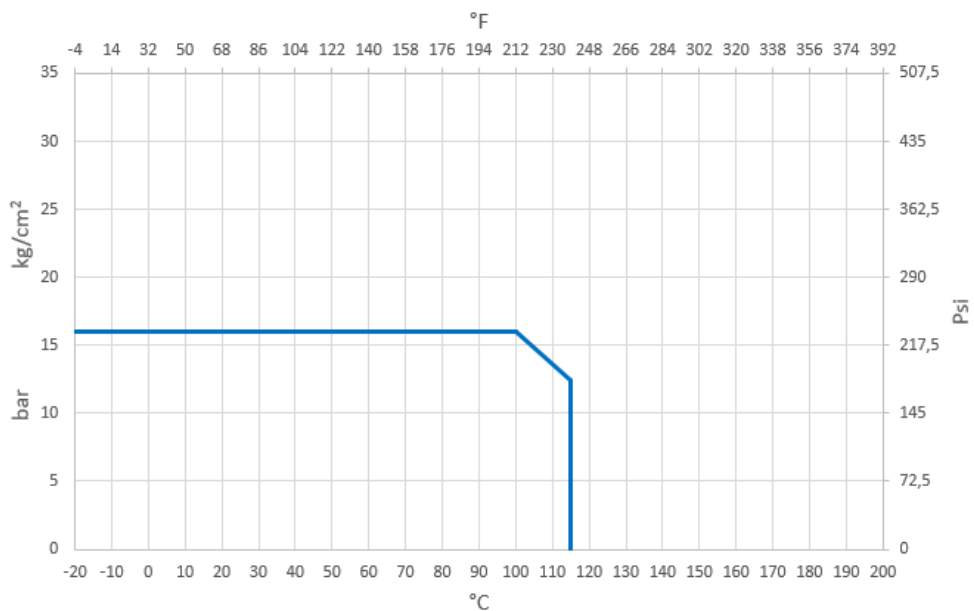
- Body** CW617N (EN 12165) CuZn40Pb2
- Ball** CW617N (EN 12165) CuZn40Pb2 T.E.A. plated
- Stem** CW614N (EN 12164) CuZn39Pb3
- Stuffing box** CW614N (EN 12164) CuZn39Pb3 Adjustable
- Free nut** CW617N (EN 12165) CuZn40Pb2
- Seat** 2 x PTFE + 1 x PTFE seal on the stem
- O-Rings** 2 x FKM
- Gasket** EPDM-x
- Handle** Painted aluminum

**PRESSURE DROP DIAGRAM**



Dim.	3/4" x 1/2"	3/4" x 3/4"
Kv	6.6	6.6
PN	16	16

**TEMPERATURE / PRESSURE DIAGRAM**



**RECOMMENDED WORKING TEMPERATURE/PRESSURE LIMITS**

16 bar – 100°C – non shock