



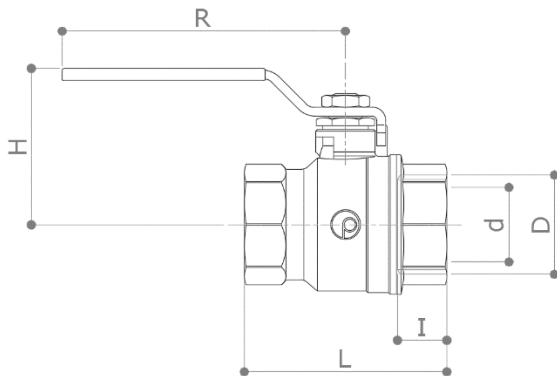
DESCRIPTION

51CE

F x F end “Extra Compact” full port ball valve with red steel lever.

Conform to EN 13828

DIMENSIONS



D	½"	¾"	1"	1 ¼"	1 ½"	2"
d	15	20	25	32	40	50
H	39	49	52	66	82	89
I	10.5	12	13.5	15.5	15.5	19
L	51.4	63	73	86	99	113
R	75	95	95	120	150	150
Weight [g]	170	300	440	800	1100	1665

Dimensions in mm

All threads are conform to ISO 228 standard

MATERIALS

- Body** CW617N (EN 12165) CuZn40Pb2 External nickel plated
- Ball** CW617N (EN 12165) CuZn40Pb2 Chromium plated
- Stem** CW614N (EN 12164) CuZn39Pb3
- Stuffing box** CW614N (EN 12164) CuZn39Pb3
- Seat** 2 x PTFE + 1 x PTFE seal on the stem
- O-Rings** 2 x FKM
- Handle** Delta Protect coated steel. PVC grip with “Pad printing”

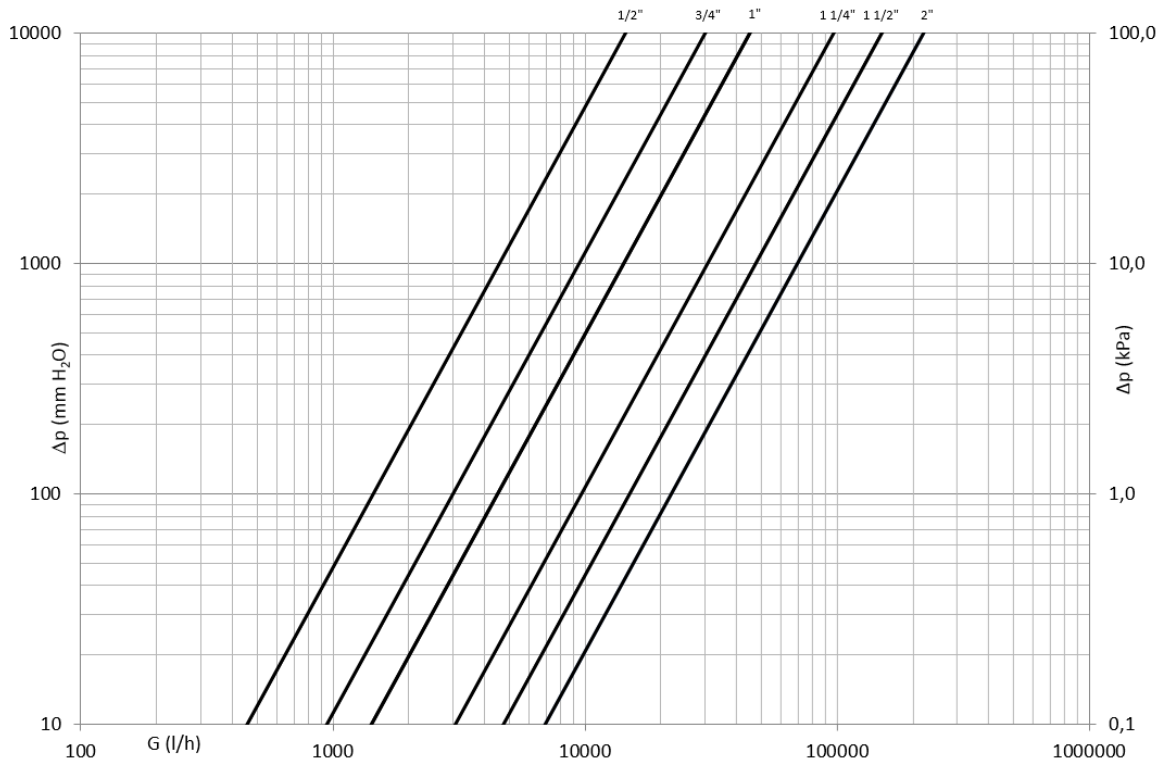
RECOMMENDED WORKING TEMPERATURE/PRESSURE LIMITS

28 bar – 100°C – non shock (½” – 1”)

10 bar – 150°C – non shock

-20°C: lower temperature limit with 50% glycol. No frost.

PRESSURE DROP DIAGRAM



Dim.	1/2"	3/4"	1"	1 1/4"	1 1/2"	2"
Kv	14.5	30	45	97	150	220
PN	28	28	28	20	20	20

TEMPERATURE / PRESSURE DIAGRAM

