



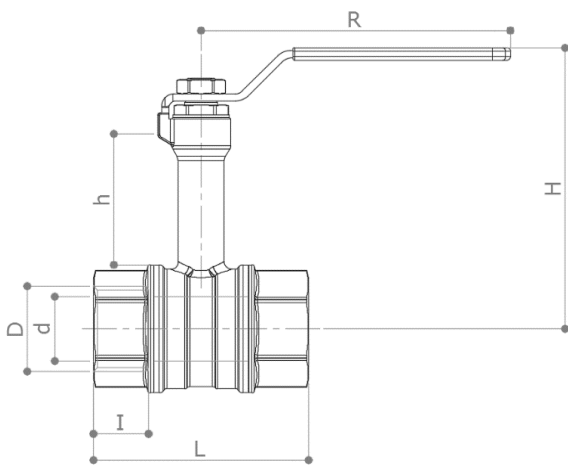
DESCRIPTION

# 51L

F x F heavy duty full-flow ballvalve with extended neck to enable valve operation with even with thermal insulation. Made by non dezincifiable DZR brass TEA coated. Green steel handle.

Conform to **EN 13828** standard

DIMENSIONS



D	½"	¾"	1"	1 ¼"	1 ½"	2"
d	15	20	25	32	40	50
H	84,5	94,5	110	115	135,5	144
h	45	45	50	50	55	55
L	62	69	84	96	106	127
I	17	18	21,5	23,5	23,5	28
R	75	95	120	120	150	150
<b>Weight [g]</b>	320	440	800	1125	1730	2579

Dimensions in **mm**

All threads are conform to ISO 7 or ISO 228 standards

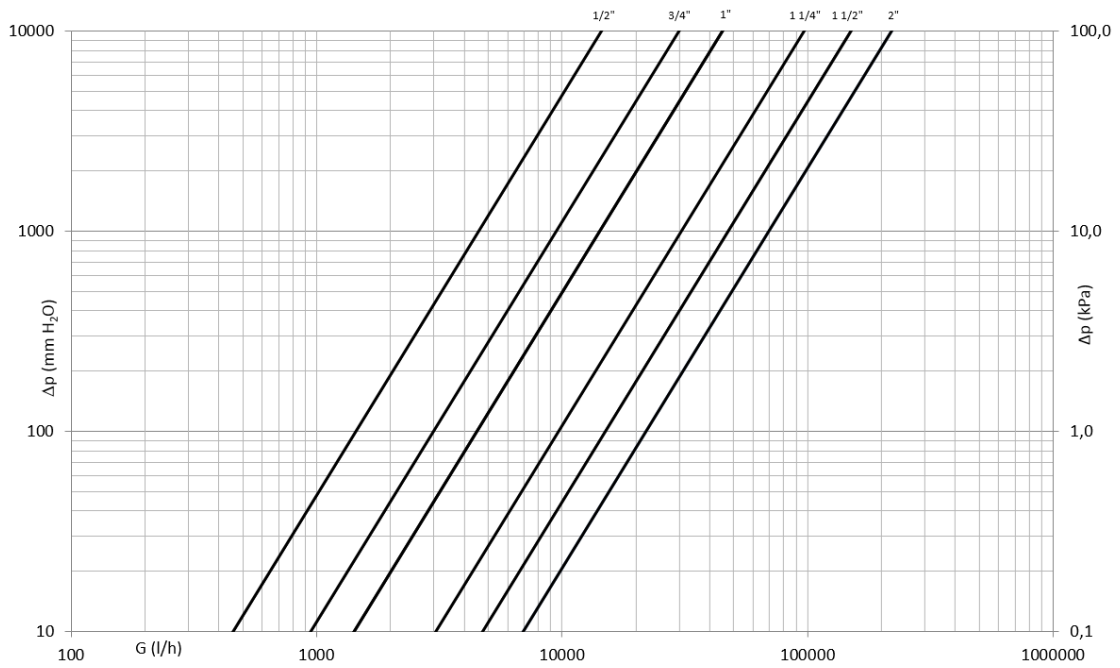
MATERIALS

- Body** CW602N (UNI EN 12165) CuZn36Pb2 TEA coated
- Ball** CW617N (UNI EN 12165) CuZn40Pb2 TEA coated
- Stem** CW602N (UNI EN 12164) CuZn36Pb2
- Stuffing box** CW614N (UNI EN 12164) CuZn39Pb3
- Seats** 2 x PTFE
- O-Rings** 2 x EPDM-Perox
- Handle** Delta Protect coated steel. PVC grip with "Pad printing"

RECOMMENDED WORKING TEMPERATURE/PRESSURE LIMITS

- 30 bar – 100°C – non shock
- 10 bar – 120°C – non shock
- 20°C: lower temperature limit with 50% glycol. No frost.

PRESSURE DROP DIAGRAM



<b>Dim.</b>	<b>15</b>	<b>18</b>	<b>22</b>	<b>28</b>	<b>35</b>	<b>42</b>
<b>Kv</b>	14.5	14.5	30	45	97	150
<b>PN</b>	16	16	16	16	16	16