



DESCRIPTION

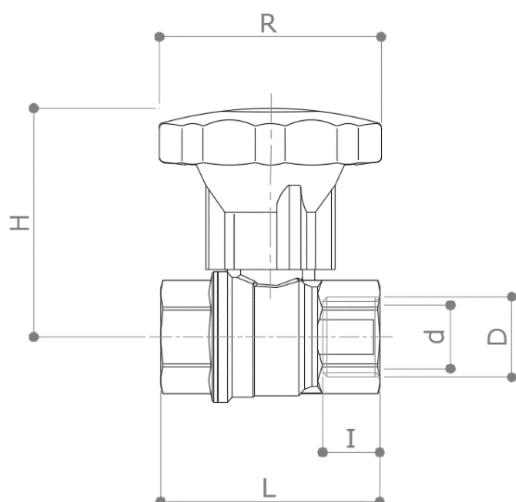
53EU

F x F heavy duty full-flow ball valve with reducer (gear handle).

Anti-legionella ball with additional bore on the bottom to avoid water stagnation in the space between the ball and the body.

Conform to **EN 13828**

DIMENSIONS



D	1/4"	3/8"	1/2"	3/4"	1"	1 1/4"	1 1/2"	2"
d	10	10	15	20	25	32	40	50
H	63	63	66	72	78	83	114	121
I	11.5	12	17	18	21.5	23.5	23.5	28
L	46	47	62	69	84	96	106	127
R	70	70	70	70	70	70	110	110
Weight [g]	200	180	260	380	660	980	1400	2250

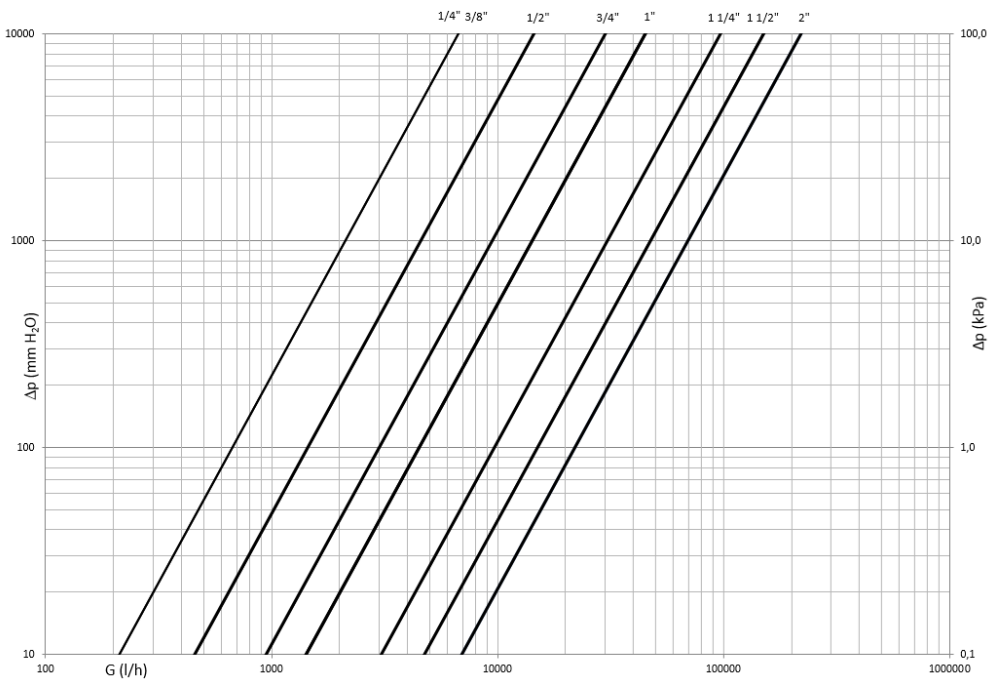
Dimensions in mm

All threads are conform to ISO 7 or ISO 228 standards

MATERIALS

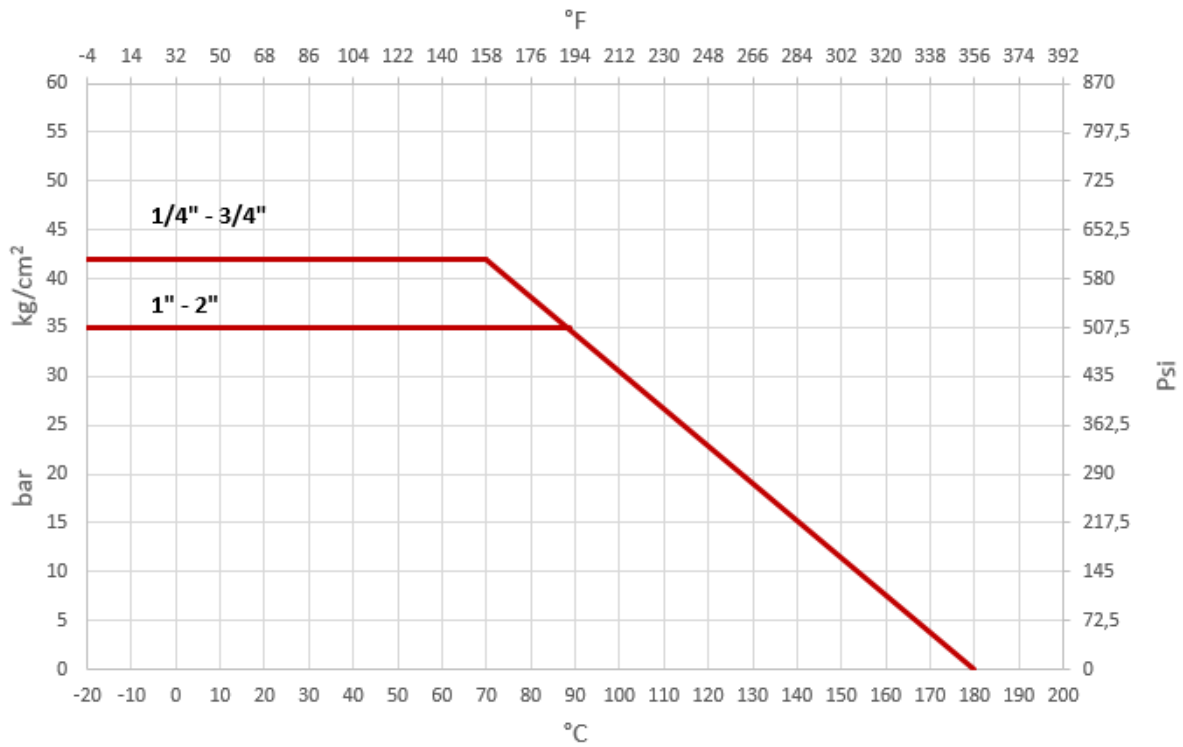
- Body** CW617N (EN 12165) CuZn40Pb2 TEA coated.
- Ball** CW617N (EN 12165) CuZn40Pb2 TEA coated.
- Stem** CW614N (EN 12164) CuZn39Pb3
- Stuffing box** CW614N (EN 12164) CuZn39Pb3 Adjustable
- Seat** 2 x PTFE + 1 x PTFE on the stem
- O-Rings** 2 x FKM
- Lever** Nylon fiber

PRESSURE DROP DIAGRAM



Dim.	1/4"	3/8"	1/2"	3/4"	1"	1 1/4"	1 1/2"	2"
Kv	6.6	6.7	14.5	30	45	97	150	220
PN	42	42	42	42	35	35	35	35

TEMPERATURE / PRESSURE DIAGRAM



RECOMMENDED WORKING TEMPERATURE/PRESSURE LIMITS

- 30 bar – 100°C – non shock
- 10 bar – 150°C – non shock
- 20°C: lower temperature limit with 50% glycol. No frost.