



# EVOSIX



Pettinaroli **63 series**, more than a six-way



**1****One product**

25 different kv configurations

All interchangeable discs included

**2****Double**

fixing system

Directly on the valve or through 063ZA bracket

**3****3/4"**

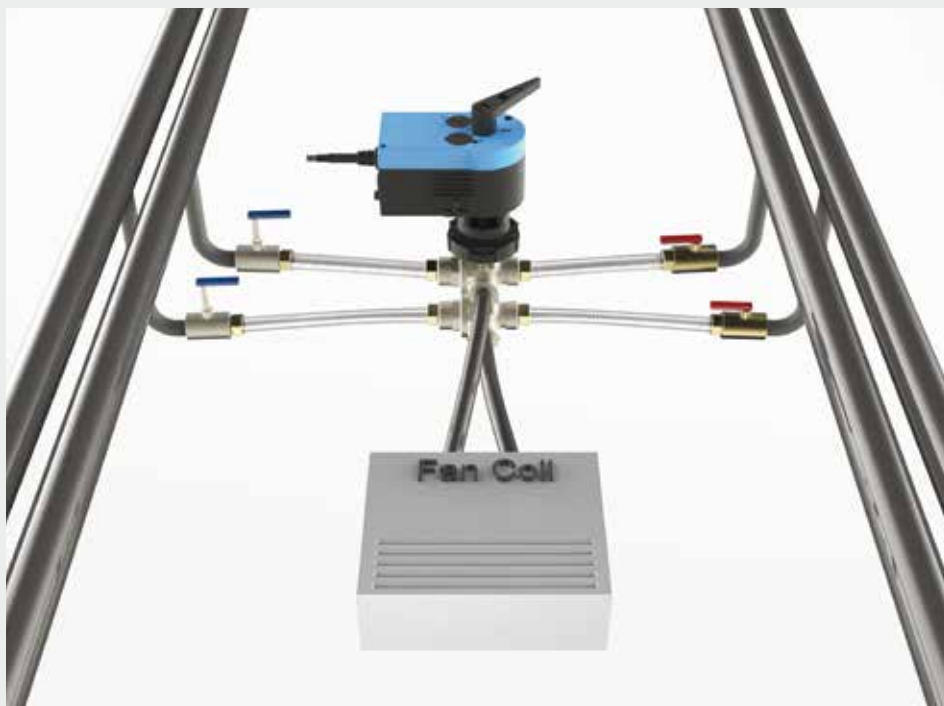
Sphero conical

Direct connection with flexible hoses

**4****Quick actuator**

assembly

With M63 bayonet ring

**Application field**

Pettinaroli's six-way valve (series 63) was designed keeping in mind our decade-long experience in big HVAC projects all over Europe. Four-pipe systems are increasingly more common and managing them automatically is technically and practically difficult. This gave our engineers the input to design a compact and functional solution like our Pettinaroli 63/2S six-way ballvalve.

**Kv values selection**

In order to simplify the logistic and the installation on site, the valve is supplied with the maximum Kv, or flow rate, configuration (1.25 m<sup>3</sup>/h) on both sides.

Through our experience on the field, we know that heating and cooling flow rates are different because they are related to the project's  $\Delta T$ .

Very often, the heating flow rate is smaller than the cooling one whose  $\Delta T$  is lower. Hence the choice to give a standard kit together with the valve: this kit includes 4 couples of interchangeable discs made of PSU. The final user can select the suitable Kv for each side by changing the disc. The kit is in the valve box.

The Kv value is written on the internal side of every disc. The installer, following the designer's guidelines, picks the suitable discs out for both sides. This expedient ensures high flexibility and practicality.



Kv 0.25



Kv 0.40



Kv 0.65



Kv 1.00

## 63/2S DN15



Six-way ballvalve for HVAC 4 pipes applications to automatically carry out the winter-summer changeover or, if needed, the control of radiant ceilings, fan coils and chilled beams.

<b>Water temperature</b>	-10 °C +120°C
<b>Nominal pressure</b>	16 bar
<b>Kv</b>	1.25 – 1 – 0.65 – 0.4 – 0.25
<b>Connections</b>	G 3/4" M cone 60° BS5200
<b>Total operation angle</b>	90°
<b>First side operation angle</b>	0 – 32°
<b>"Dead zone" operation angle</b>	32° – 58°
<b>Second side operation angle</b>	58° – 90°
<b>Max differential pressure</b>	2 bar

## M63 24V

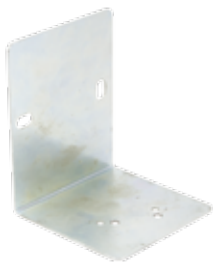


Electric actuator 24V with proportional control mode (0-10V) or 2/3 points for six-way ballvalves (item 63/2S). It enables the automatic winter-summer change-over or it allows the control of radiant ceilings, fan coil units and chilled beams.

<b>Supply voltage</b>	24VAC ±20% – 50 – 60Hz 24VCC -10% ÷ +20%
<b>Max power consumption</b>	4.9 W – 8.7 VA
<b>Running time</b>	120 s / 60 s
<b>Angle of rotation</b>	0° – 90°
<b>Torque</b>	8 Nm (120 s and 60 s)

## EVOSIX Accessories

### 063ZA



Fastening angle with two buttonholes on the vertical side. The valve can be fixed on the horizontal part using the specific holes: suitable M4 screws are included in the angle packing.

### 063GI



Insulating case.

### 091SOS



Two-nole wrench for Kv discs' management.

# EVOSIX Fittings

## 1007WFC



Union piece 3/4" F  
sphero conical x 1/2" F

## 1007



Union piece 3/4" F  
sphero conical x 1/2" M

## 1007MC

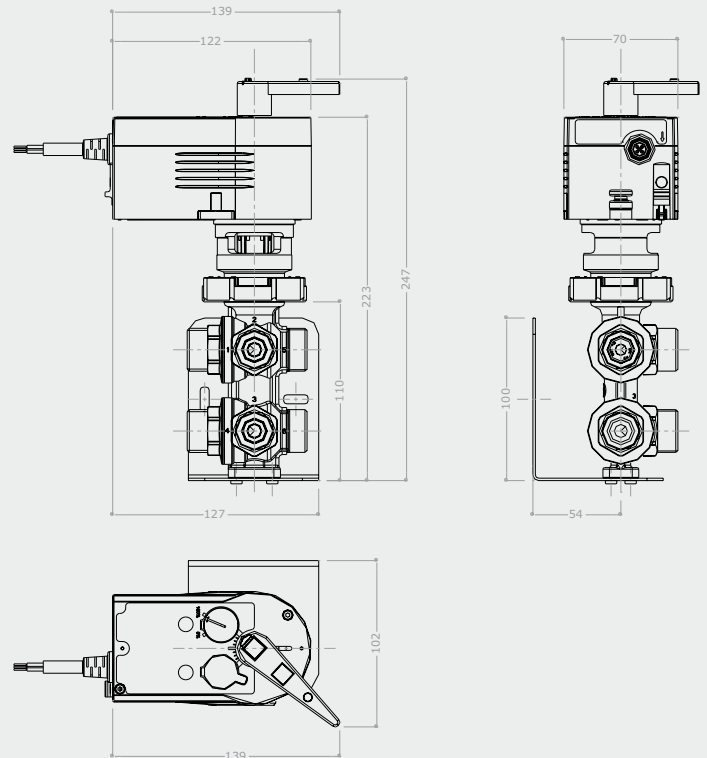


Union piece 3/4" F  
sphero conical  
x 1/2" M flat seat

## 1007MS



Weld union 3/4" F  
sphero conical x 15 mm



[www.pettinaroli.com](http://www.pettinaroli.com)

Fratelli Pettinaroli Spa reserve the right to change the described products and the relative technical data at any time and without prior notice.  
Please check the latest update on our web site [www.pettinaroli.com](http://www.pettinaroli.com)