

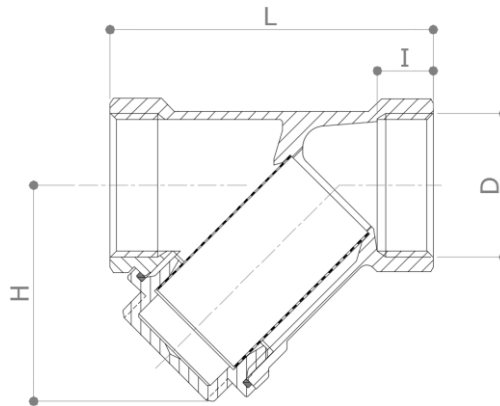


DESCRIPTION

168/O

Brass Y pattern filter.
Stainless steel strainer.

DIMENSIONS



D	3/8"	1/2"	3/4"	1"	1 1/4"	1 1/2"	2"
H	33	34	42	50	63	70	87
I	10.5	11	11	13	14	14	16
L	48	52	63	75	91	102	118
Weight (g)	100	115	185	320	515	665	1195

Dimensions in mm

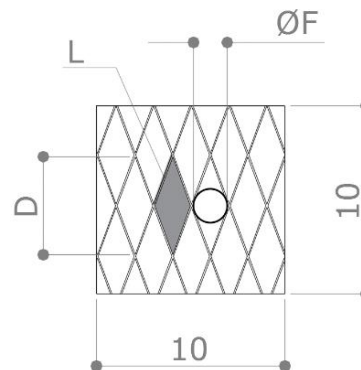
All threads are conform to ISO 228 standard

MATERIALS

- Body** Brass: CW617N (EN 12165) CuZn40Pb2
- Cap** Brass: CW617N (EN 12165) CuZn40Pb2
- Strainer** Stainless steel: AISI 304
- Washer** NBR

STRAINER SPECIFICATIONS

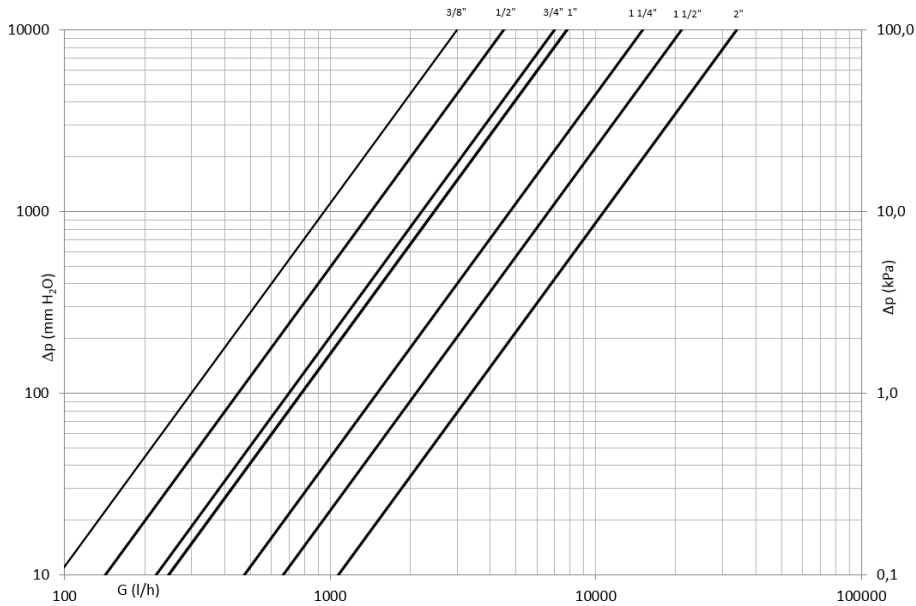
n° holes / cm2	70
L	0.25 mm ²
D	1.0 mm
ØF	0.50 mm (500 µm)
Size	3/8" – 2"



APPROVALS



PRESSURE DROP DIAGRAM



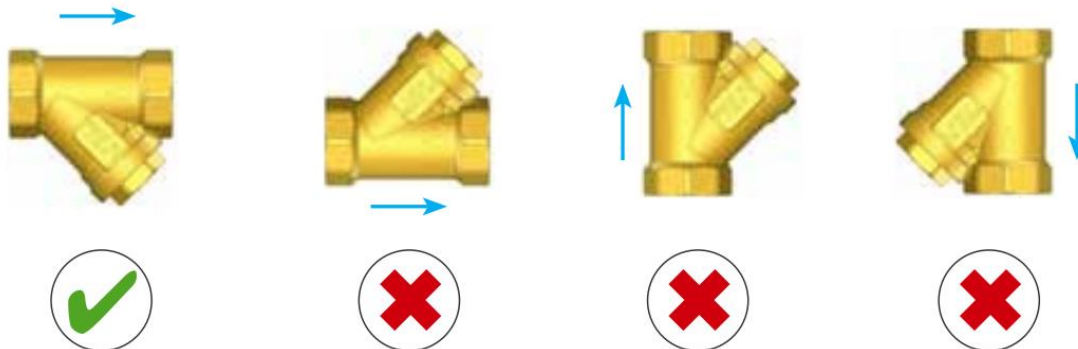
Dim.	3/8"	1/2"	3/4"	1"	1 1/4"	1 1/2"	2"
Kv	3.5	4.5	5.7	7.9	16	23	36
PN	16	16	16	16	16	16	16

RECOMMENDED WORKING PRESSURE/TEMPERATURE LIMITS

16 bar - 110°C - non shock

FILTER INSTALLATION

Install the filter as shown by the following picture. Blue arrows state the flow direction of the fluid.



FILTER MAINTENANCE

Higher the quantity of dirt in the flow, more frequent the filter maintenance. By the way, a yearly cleaning of the filter is suggested in order to avoid higher pressure drop and irreversible scales on the strainer. The filter cleaning has to be carried out according to the following steps:

- Close the filter isolation valves;
- Open the cap and take the strainer out;
- Clean the strainer in running water using a brush with plastic bristles;
- Visual check of the strainer (when the strainer is broken or there are irreversible scales, please substitute the strainer)
- Put the strainer in the cap and screw the cap in the filter body;
- Open the filter isolation valves.

WARNING: in case of new systems or, in general, when it is filled, a filter cleaning is suggested after one-week run in order to remove scales due to installation and commission dirt.

