



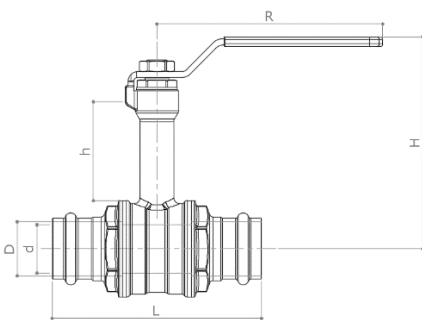
**DESCRIPTION**

**P100L**

Press x Press heavy duty full-flow ballvalve made by non dezincifiable alloy with extended neck.  
Green steel handle.

Conform to **EN 13828** and **EN 1254/7** standards

**DIMENSIONS**



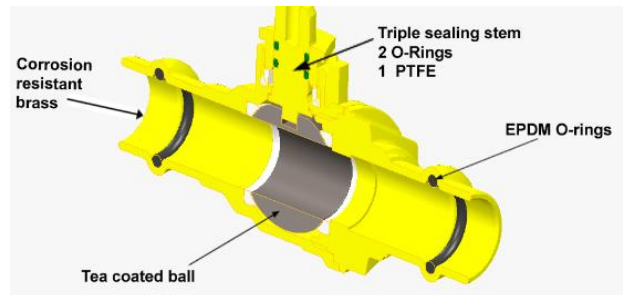
<b>D</b>	<b>15</b>	<b>18</b>	<b>22</b>	<b>28</b>	<b>35</b>	<b>42</b>	<b>54</b>
<b>d</b>	15	15	20	25	32	40	50
<b>H</b>	84,5	84,5	94,5	110	115	135,5	144
<b>h</b>	45	45	45	50	50	55	55
<b>L</b>	90	91,5	97,5	109,5	122	142,5	182
<b>R</b>	75	75	95	120	120	150	150
<b>Pressing profile</b>	M and V	M and V	M and V	M and V	M and V	V*	V*
<b>Weight [g]</b>	320	320	480	750	1200	1800	2700

Dimensions in **mm**

\*M pressing profile available with the product **P100LM**

**MATERIALS**

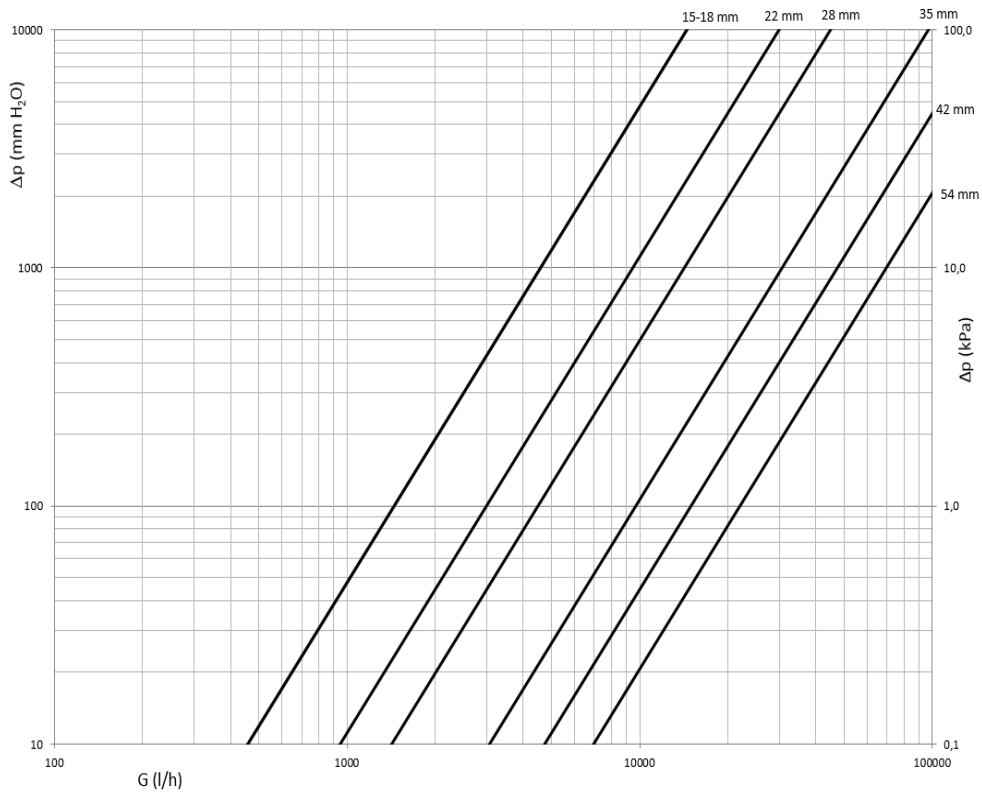
- Body** CW602N (UNI EN 12165) CuZn36Pb2 TEA coated
- Ball** CW617N (UNI EN 12165) CuZn40Pb2 TEA coated
- Stem** CW602N (UNI EN 12164) CuZn36Pb2
- Stuffing box** CW614N (UNI EN 12164) CuZn39Pb3
- Seats** 2 x PTFE + 1 x PTFE on the stem
- O-Rings** 2 x EPDM-Perox stem + 2 x EPDM end connections
- Handle** Delta Protect coated steel. PVC grip with "Pad printing"



**RECOMMENDED WORKING TEMPERATURE/PRESSURE LIMITS**

- 16 bar – 30°C – non shock
- 10 bar – 95°C – non shock
- 20°C: lower temperature limit with 50% glycol. No frost.

PRESSURE DROP DIAGRAM



<b>Dim.</b>	<b>15</b>	<b>18</b>	<b>22</b>	<b>28</b>	<b>35</b>	<b>42</b>	<b>54</b>
<b>Kv</b>	14.5	14.5	30	45	97	150	220
<b>PN</b>	16	16	16	16	16	16	16

PRESSURE/TEMPERATURE DIAGRAM

