



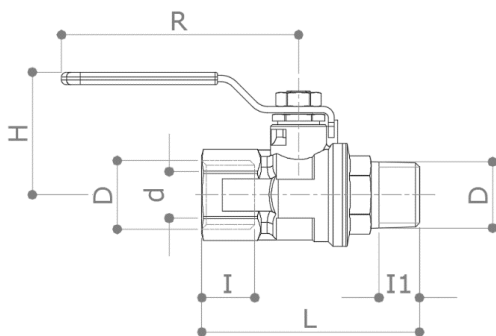
DESCRIPTION

G51/1

F x M Heavy duty full-flow ball valve.
Yellow steel lever.

Conform to **EN 331** standard.

DIMENSIONS



Dim	1/4"	3/8"	1/2"	3/4"	1"	1 1/4"	1 1/2"	2"
d	10	10	15	20	25	32	40	50
H	36	36	39	49	61	66	82	89
I	11.5	12	17	18	21.5	23.5	23.5	28
I1	11.5	12	17	18	21.5	23.5	23.5	28
L	56	57.5	70	79	93.5	106	117	138.5
R	75	75	75	95	120	120	150	150
Acc. Type.	1	1	1	2	3	3	4	4
PN	8	8	8	8	8	8	8	8
Weight (g)	150	150	230	380	655	975	1345	2140

All threads are conform to ISO 7 or ISO 228 standards

MATERIALS

Body	Brass CW617N (DIN 50930 part.6) CuZn40Pb2
Ball	Brass CW617N (DIN 50930 part.6) CuZn40Pb2 Chrome plated
Stem	Brass CW614N (DIN 50930 part.6) CuZn39Pb3
Gland	Brass CW614N (DIN 50930 part.6) CuZn39Pb3
Seat	2 x PTFE
O-rings	2 x NBR PTFE packing
Lever	Galvanised steel PVC grip with "Pad Printing"

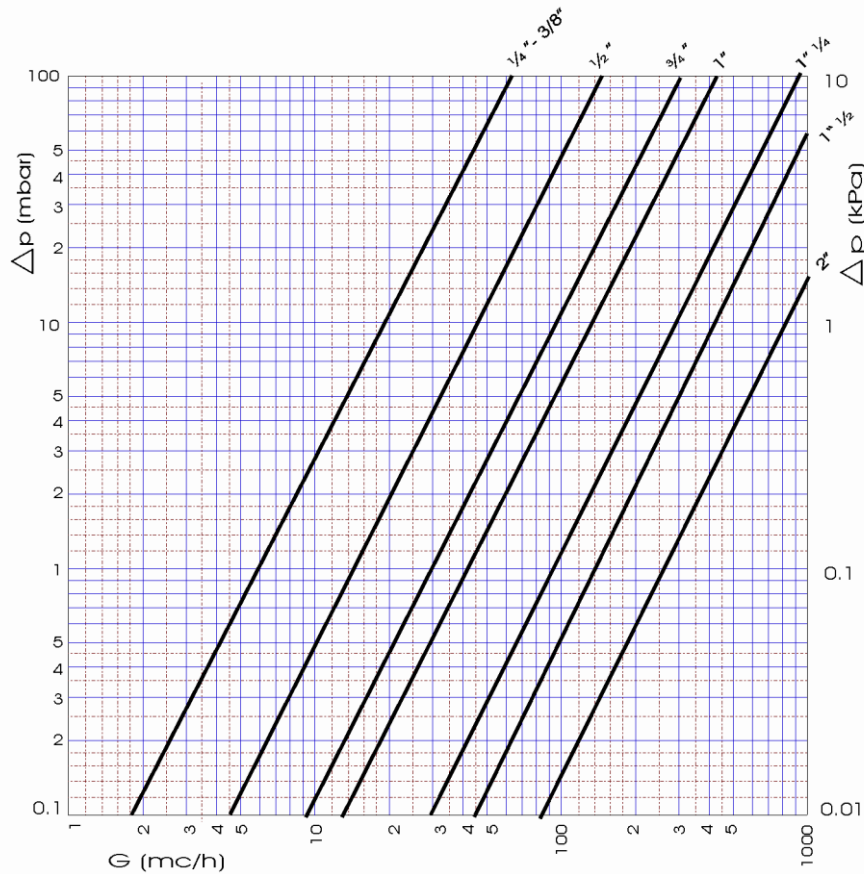
CONNECTION VARIANTS

G51	F X F, Yellow steel lever
G51/1	F X M, Yellow steel lever
G51/2	M X M, Yellow steel lever

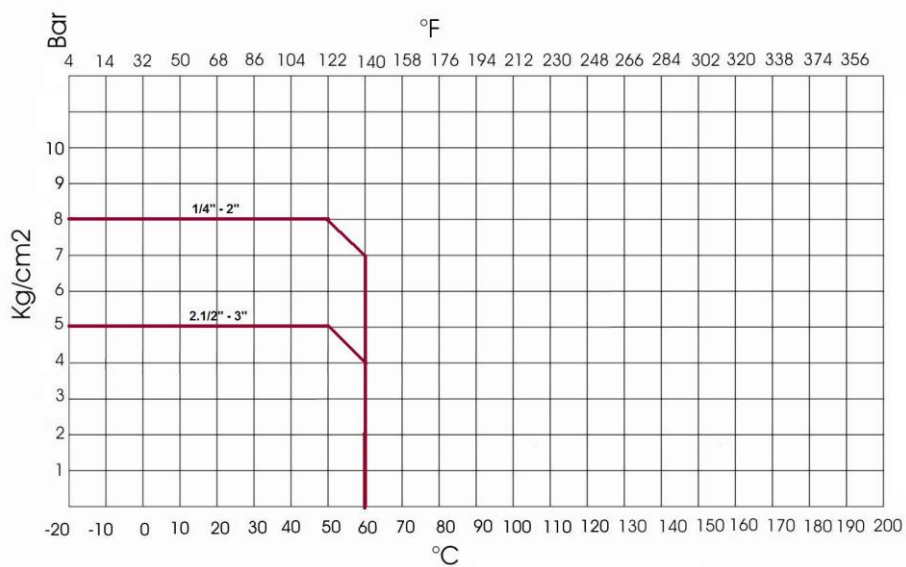
HANDLE VARIANTS

G50	Yellow aluminum lever
G51	Yellow steel lever
G52	Yellow butterfly handle
G56	Yellow cap

PRESSURE DROP DIAGRAM



RECOMMENDED WORKING TEMPERATURE/ PRESSURE LIMIT



Working temperature range : -20 + 60°C