



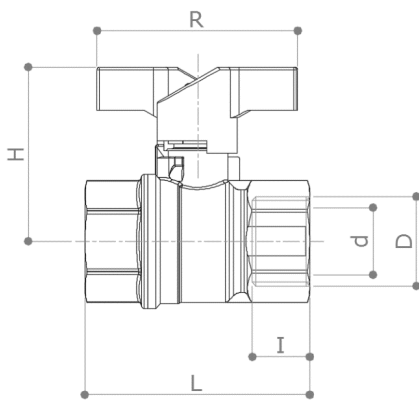
DESCRIPTION

G52

F x F Heavy duty full-flow ball valve.
Yellow butterfly handle.

Conform to **EN 331** standard.

DIMENSIONS



D	1/4"	3/8"	1/2"	3/4"	1"	1 1/4"
d	10	10	15	20	25	32
H	43	43	46	56	65	71
I	11.5	12	17	18	21.5	23.5
L	46	47	62	69	84	96
R	58	58	58	65	75	75
Ch	17	21	26	32	40	49
Acc. Type	1	1	1	2	3	3
PN	8	8	8	8	8	8
Weight(g)	150	140	220	360	640	990

All threads are conform to ISO 7 or ISO 228 standards

MATERIALS

Body	Brass CW617N (DIN 50930 part.6) CuZn40Pb2
Ball	Brass CW617N (DIN 50930 part.6) CuZn40Pb2 Chrome plated
Stem	Brass CW614N (DIN 50930 part.6) CuZn39Pb3
Gland	Brass CW614N (DIN 50930 part.6) CuZn39Pb3
Seat	2 x PTFE
O-rings	2 x NBR PTFE packing
Lever	Yellow butterfly handle

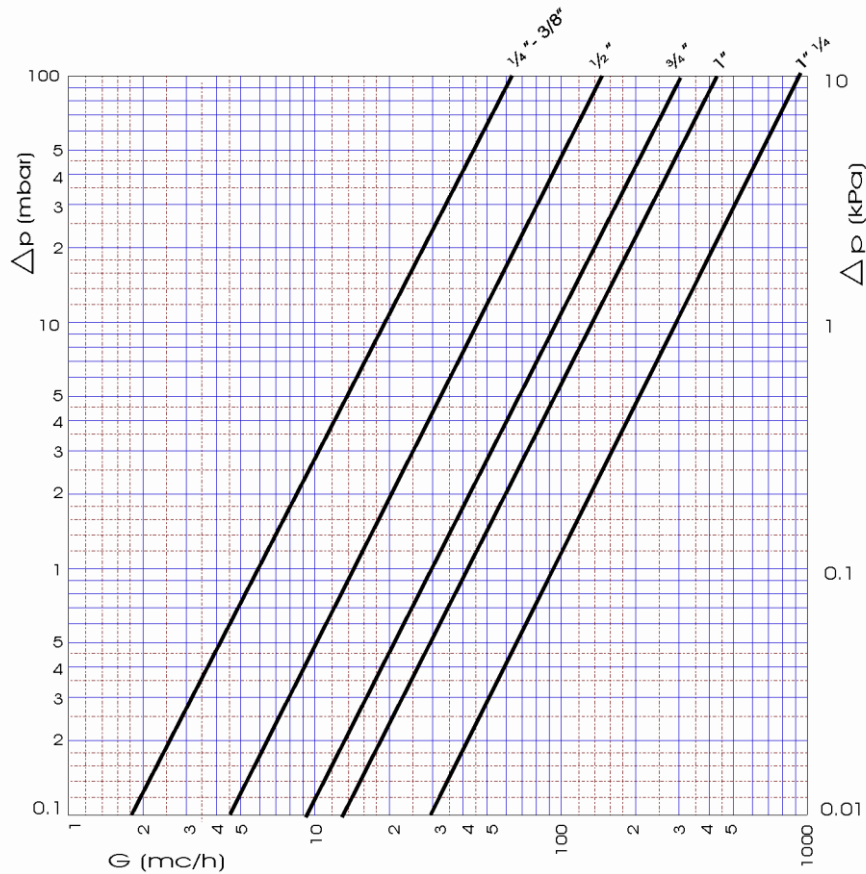
CONNECTION VARIANTS

G52	F X F, Yellow butterfly handle
G52/1	F X M, Yellow butterfly handle
G52/2	M X M, Yellow butterfly handle

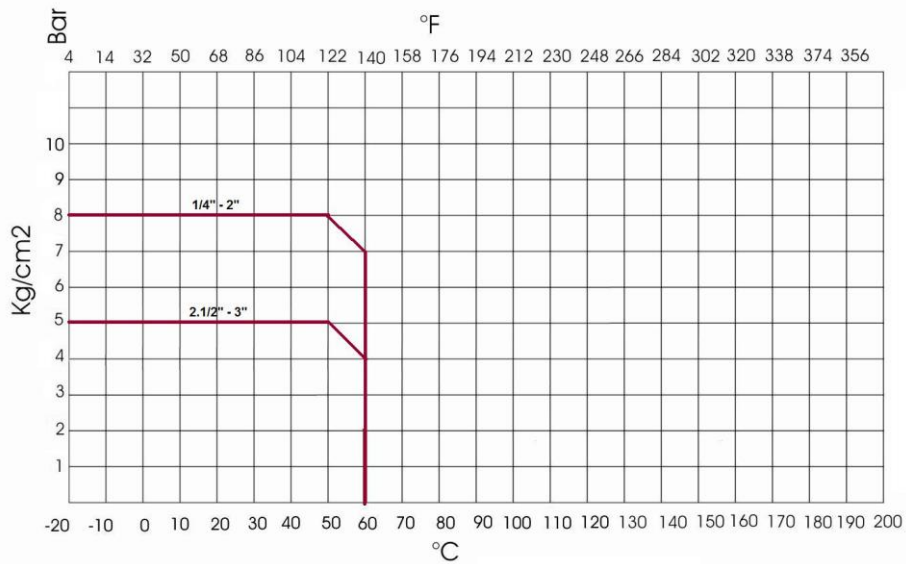
HANDLE VARIANTS

G50	Yellow aluminum lever
G51	Yellow steel lever
G52	Yellow butterfly handle
G56	Yellow cap

PRESSURE DROP DIAGRAM



RECOMMENDED WORKING TEMPERATURE/ PRESSURE LIMIT



Working temperature range: -20 + 60°C