

DESCRIPTION

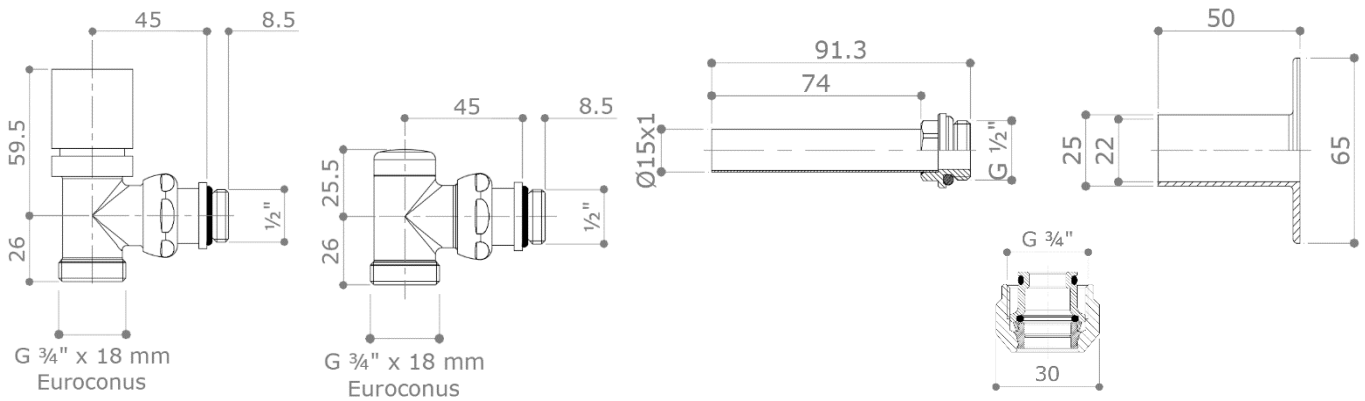
# KK850

Kit made by an angle micrometric radiator valve, with thermostatic option or thermo-electric control, a micrometric radiator lockshield valve, chrome plated, pipe connection 3/4" x 18 mm. Radiator connection: union end with O-Ring.

The kit also includes 2 chrome plated wall plates, 2 chrome plated 3/4" x 15 mm adaptors for copper pipe (3625D) and 2 copper pipes extensions.

Connection to actuator: **M28 x 1.5 mm**

DIMENSIONS



Total weight of the kit: 775 g

Dimensions in mm

All threads are conform to ISO 7 or ISO 228 standards

MATERIALS

|                        |   |
|------------------------|---|
| <b>Valve body</b>      | CW617N (EN 12165) CuZn40Pb2 Chrome plated |
| <b>Lockshield body</b> | CW617N (EN 12165) CuZn40Pb2 Chrome plated |
| <b>Unions</b>          | CW617N (EN 12165) CuZn40Pb2 Chrome plated |
| <b>Nuts</b>            | CW617N (EN 12165) CuZn40Pb2 Chrome plated |
| <b>Stem and spring</b> | AISI303                                   |
| <b>Headwork</b>        | CW614N (EN 12164) CuZn39Pb3               |
| <b>Stuffing box</b>    | CW614N (EN 12164) CuZn39Pb3               |
| <b>O-Rings</b>         | EPDM-X – EPDM                             |
| <b>Handwheel</b>       | ABS Chrome plated                         |
| <b>Shutter</b>         | CW614N (EN 12164) CuZn39Pb3               |
| <b>Cap</b>             | CW614N (EN 12164) CuZn39Pb3               |
| <b>Adapter nut</b>     | CW617N (EN 12165) CuZn40Pb2 Chrome plated |
| <b>Pipe clamp</b>      | CW614N (EN 12164) CuZn39Pb3               |
| <b>Copper pipe</b>     | Cu-DHP 99,9 EN1057                        |
| <b>Nipple</b>          | CW614N (EN 12164) CuZn39Pb3               |
| <b>Wall plate</b>      | ABS Chrome plated                         |

**PRESSURE DROP DIAGRAM**

Angle radiator valve

$$\Delta P = \left[ \frac{Q}{Kv} \right]^2$$

$$Q = Kv * \sqrt{\Delta P}$$

$$q_{mNH} = 170 \text{ kg/h}$$

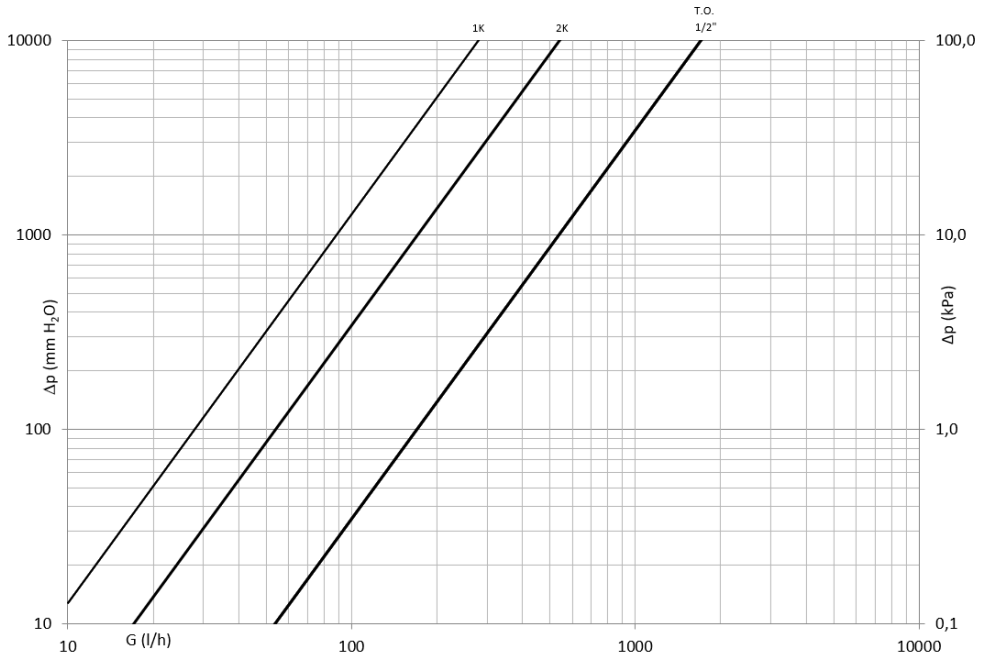
Where

**Q** is the flow rate [m<sup>3</sup>/h]

**Kv** is the flow rate factor [m<sup>3</sup>/h]

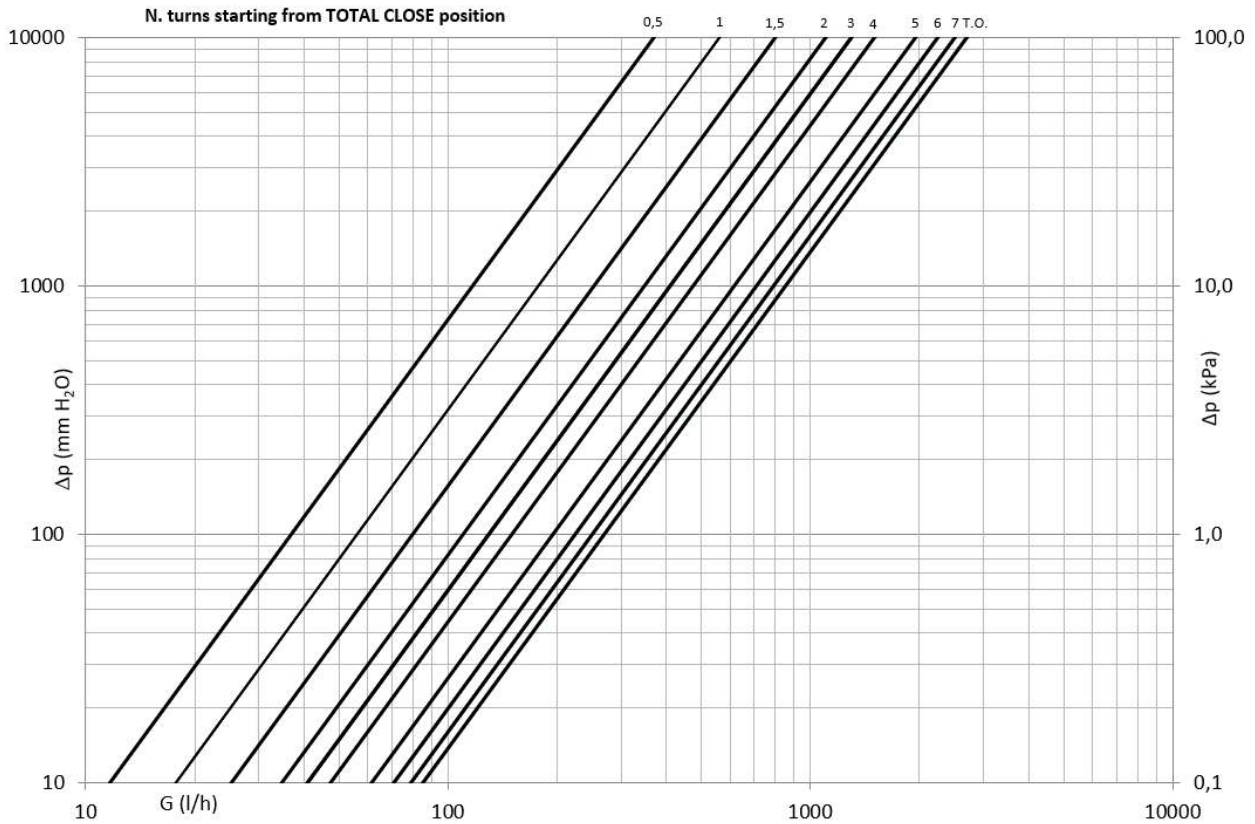
**ΔP** is the pressure drop across the valve [bar]

| ΔT<br>[°C] | Kv<br>½" |
|------------|----------|
| 1K         | 0.28     |
| 2K         | 0.54     |
| T.O.       | 1.70     |



T.O.: Total Open

Angle radiator lockshield valve



| Turns | 0.5  | 1    | 1.5  | 2   | 2.5 | 3   | 4    | 5    | 6   | 7 T.O. |
|-------|------|------|------|-----|-----|-----|------|------|-----|--------|
| Kv    | 0.37 | 0.56 | 0.80 | 1.1 | 1.3 | 1.5 | 1.95 | 2.25 | 2.5 | 2.7    |

T.O.: Total Open

**RECOMMENDED WORKING TEMPERATURE/PRESSURE LIMITS**

10 bar – 110°C – non shock

AVAILABLE THERMOSTATIC HEAD

109L



EN215 n°49

INCLUDED ADAPTER

3625D



Copper pipes

INSTALLATION

