



DESCRIPTION

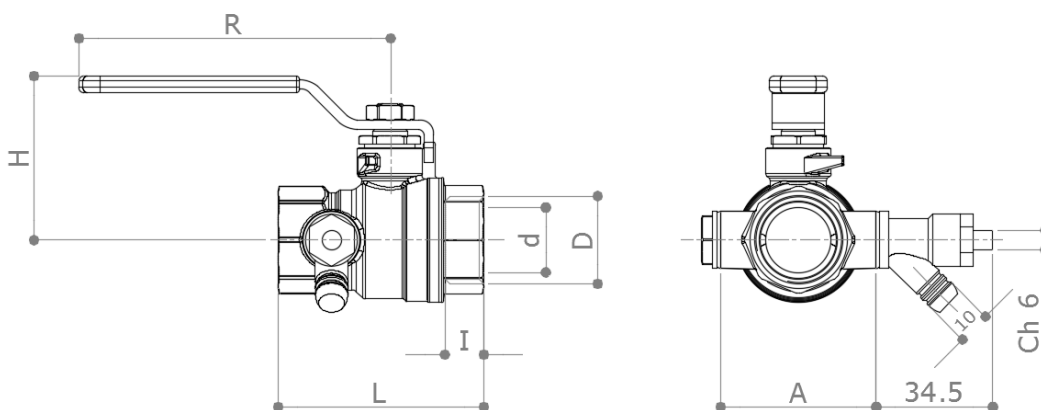
# 51CS

Nickel plated F x F full-flow ball valve, with thread 1/4" drain off which can be installed on both the valve sides. Unused exit is plugged by the supplied cap.

Red steel handle.

Conform to **EN 13828**

DIMENSIONS



D	1/2"	3/4"	1"	1 1/4"	1 1/2"	2"
d	15	20	25	32	40	50
H	39	49	61	66	82	90.5
I	12	13	14	16.5	17.5	25
L	55.2	66	75.5	90	102	133
R	75	95	120	120	150	150
A	43	48	56	65	74	94.75
Weight [g]	255	410	590	920	1270	2265

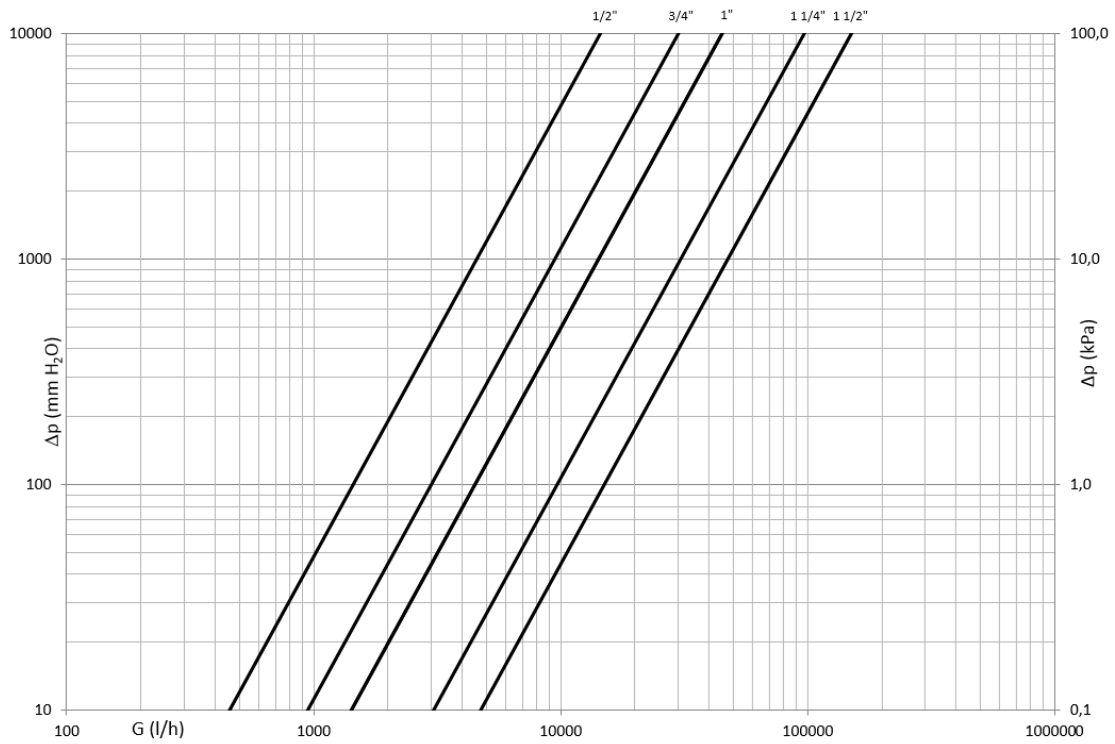
Dimensions in mm

All threads are conform to ISO 7 or ISO 228 standards

MATERIALS

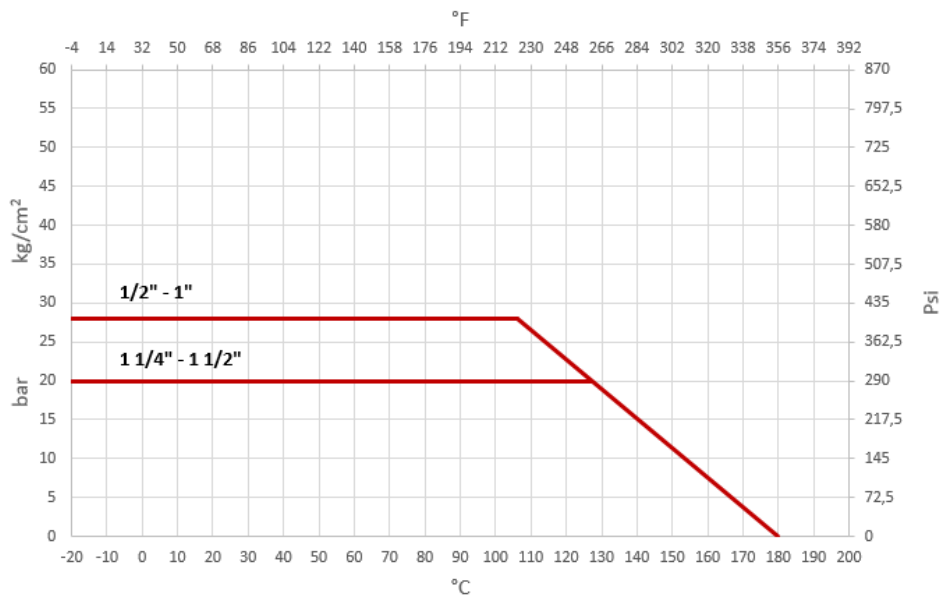
- Body** CW617N (EN 12165) CuZn40Pb2
- Ball** CW617N (EN 12165) CuZn40Pb2 Chrome plated
- Stem** CW614N (EN 12164) CuZn39Pb3
- Stuffing box** CW614N (EN 12164) CuZn39Pb3 Adjustable
- Drain-off** CW617N (EN 12165) CuZn40Pb2
- Cap** CW614N (EN 12164) CuZn39Pb3
- Seat** 2 x PTFE + 1 x PTFE seal on the stem
- O-Rings** 2 x FKM
- Cap and drain-off seal** 2 x fiber
- Handle** Delta Protect coated steel. PVC grip with "Pad printing"

**PRESSURE DROP DIAGRAM**



Dim.	1/2"	3/4"	1"	1 1/4"	1 1/2"
Kv	14.5	30	45	97	150
PN	28	28	28	20	20

**TEMPERATURE / PRESSURE DIAGRAM**



**RECOMMENDED WORKING TEMPERATURE/PRESSURE LIMITS**

30 bar – 100°C – non shock (1/2" – 1")

10 bar – 150°C – non shock