



DESCRIPTION

760P

Angle radiator valve, with thermostatic option or thermo-electric control. Female end. Radiator connection: union end with sealant. Stuffing box and O-ring can be replaced not draining the system.

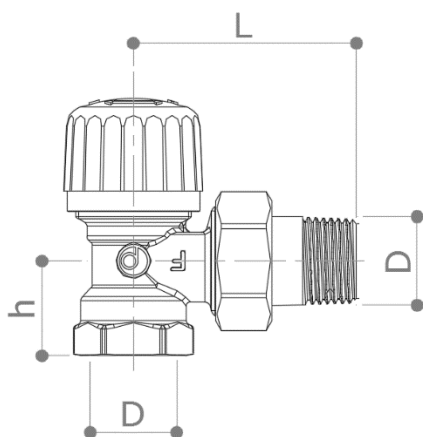
Connection to actuator: **M28 x 1.5 mm**

Nickel plated.

Max glycol: 30%

The assembly valves-thermostatic head 108L is certified **EN 215** (3/8" e 1/2").

DIMENSIONS



D x d	3/8"	1/2"	3/4"
h	20	23	26
L	49	52.5	61.5
Weight [g]	190	220	300
Keymark Certified	Yes	Yes	No

Dimensions in **mm**

All threads are conform to ISO 7 standard

MATERIALS

- Body** CW617N (EN 12165) CuZn40Pb2
- Union** CW617N (EN 12165) CuZn40Pb2
- Nut** CW617N (EN 12165) CuZn40Pb2
- Stem** AISI303
- Headwork** CW614N (EN 12164) CuZn39Pb3
- Stuffing box** CW614N (EN 12164) CuZn39Pb3
- O-Rings** EPDM-X
- Handwheel** ABS

APPROVALS



Certificate EN 215 n°49

028

RECOMMENDED WORKING TEMPERATURE/PRESSURE LIMITS

10 bar – 5°C - 110°C – non shock – No frost

Max differential pressure – 0.8 bar

PRESSURE DROP DIAGRAM

Angle

$$\Delta P = \left[\frac{Q}{Kv} \right]^2$$

$$Q = Kv * \sqrt{\Delta P}$$

Where

Q is the flow rate [m³/h]

Kv is the flow rate factor [m³/h]

ΔP is the pressure drop across the valve [bar]

DN10 – DN15

$$q_{mNH} = 155 \text{ kg/h}$$

$$a = 0.92$$

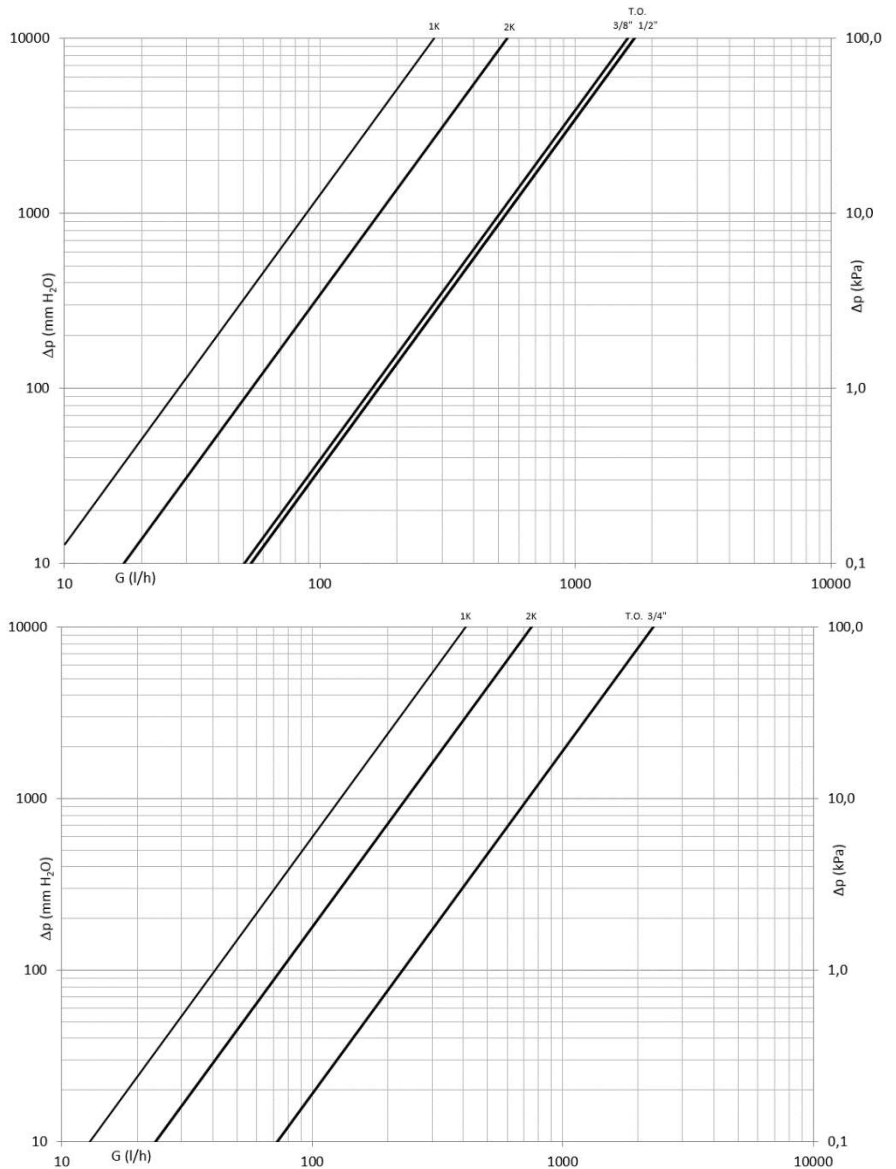
ΔT [°C]	Kv	
	3/8"	1/2"
1K	0.28	0.28
2K	0.54	0.54
T.O.	1.60	1.70

DN20

$$q_{mNH} = 240 \text{ kg/h}$$

ΔT [°C]	Kv
	3/4"
1K	0.41
2K	0.75
T.O.	2.30

T.O.: Total Open



REPLACEMENT OF STUFFING BOX AND O-RING

To replace the stuffing box and the sealing O-ring, completely unscrew the stuffing box with an 11 mm spanner. Then remove the O-ring. Install a new O-ring **076 3.63x2.62** and the stuffing box **076N** and screw it in again.

AVAILABLE THERMOSTATIC HEAD

106CN



107L



108L



109L



EN215 n°49

Additional options are available.