



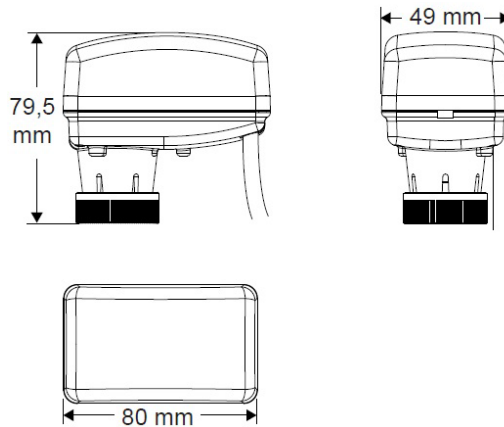
DESCRIPTION

**VA7481**

230V electromotive floating (3 points) or ON/OFF actuator to drive pressure independent control valve EVOPICV::

- 91, 92 ½" and 92 ¾" series (with the connection ring **0A7010**)
- 93, 92 1" and 92 1 ¼" series (with the connection ring **0A748X**)

DIMENSIONS



TECHNICAL FEATURES

Type	Floating or ON/OFF	Max ambient temperature	0° / + 50° C (@)
Supply voltage	230V AC ±10% 50/60 Hz (#)	Degree of protection	IP43/III
Power consumption	6 VA / 2,2 W	Weight	200 g
Max stroke	6,3 mm	Colour	White
Actuating force	120 N	Connection cable	3 x 0.75 mm <sup>2</sup>
Running time	8 sec/mm	Cable length	1,5 m
Max fluid temperature	95°C	Noise level	<30 dB(A)
Max storage temperature	-20° / + 65°C (@)	Adaptor/ring	0A7010 0A748X

(#) 120V AC ±10% version available on request      (@) non condensing

The 230V electromotive floating actuator VA7481 is widely employed to drive in floating (3 points) or ON/OFF mode pressure independent control valves EVOPICV controlling heating and cooling systems; in order to properly install the actuator, the connecting ring MUST be ordered separately following the scheme below:

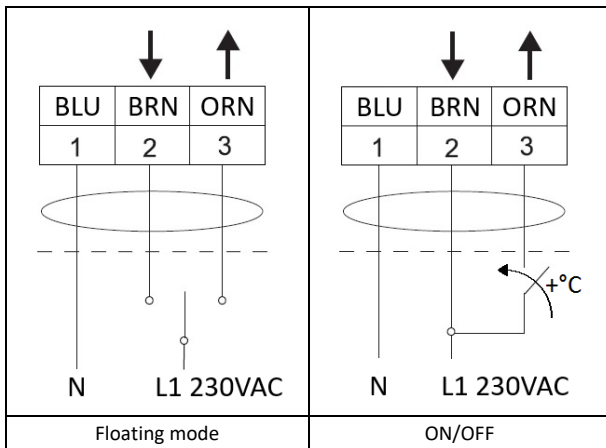
- 0A7010 for valves EVOPICV 91, 92 ½" e 92 ¾" series
- 0A748X for valves EVOPICV 93, 92 1" e 92 1 ¼" series

For further information refer to dedicated section on the EVOPICV technical manual.

APPROVALS



**ELECTRICAL CONNECTIONS**



**OPERATING STATUS INDICATOR**

The 230V electromotive actuator VA7481 has a double colour LED (green/red) indicating its operating status as shown by the table below:

OFF		No power supply
Green blinking		Moving to position
Green steady-on		End stroke reached

**INSTALLATION**

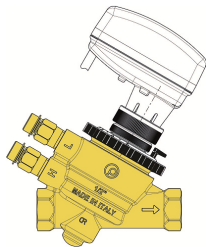


Fig. 1

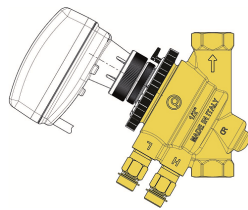


Fig. 2

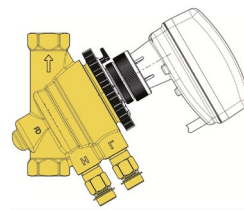


Fig. 3

For electrical safety reasons the VA7481 electromotive actuator has to be installed as shown by pictures 1 and 2. Please avoid any upside down installation as suggested by the picture 3.

**REMARKS**

Connection rings 0A7010 and 0A748X are not included and they must be ordered separately.