



DESCRIPTION

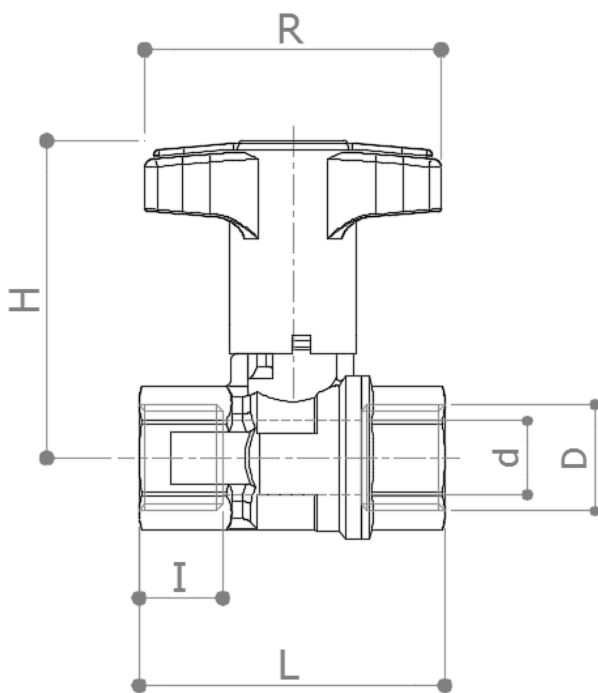
52TEU

F x F heavy duty full-flow ball valve, low lead and nickel emission. "Long Neck" plastic handle with green button to allow the swing with insulation.

Anti-legionella ball with additional bore on the bottom to avoid water stagnation in the space between the ball and the body.

Conform to **EN 13828**

DIMENSIONS



D	¼"	3/8"	½"	¾"	1"	1 ¼"
d	10	10	15	20	25	32
H	67	67	69	75	79	85
I	11.5	12	17	18	21.5	23.5
L	46	47	62	69	84	96
R	60	60	60	67	80	80
Weight [g]	140	135	215	335	615	905

Dimensions in mm

All threads are conform to ISO 7 or ISO 228 standards

MATERIALS

- Body** CW617N (UNI EN 12165) CuZn40Pb2 T.E.A. Plus plated
- Ball** CW617N (UNI EN 12165) CuZn40Pb2 T.E.A. Plus plated
- Stem** CW614N (UNI EN 12164) CuZn39Pb3
- Stuffing box** CW614N (UNI EN 12164) CuZn39Pb3 Adjustable
- Seat** 2 x PTFE + 1 x PTFE seal on the stem
- O-Rings** 2 x FKM
- Handle** PA66

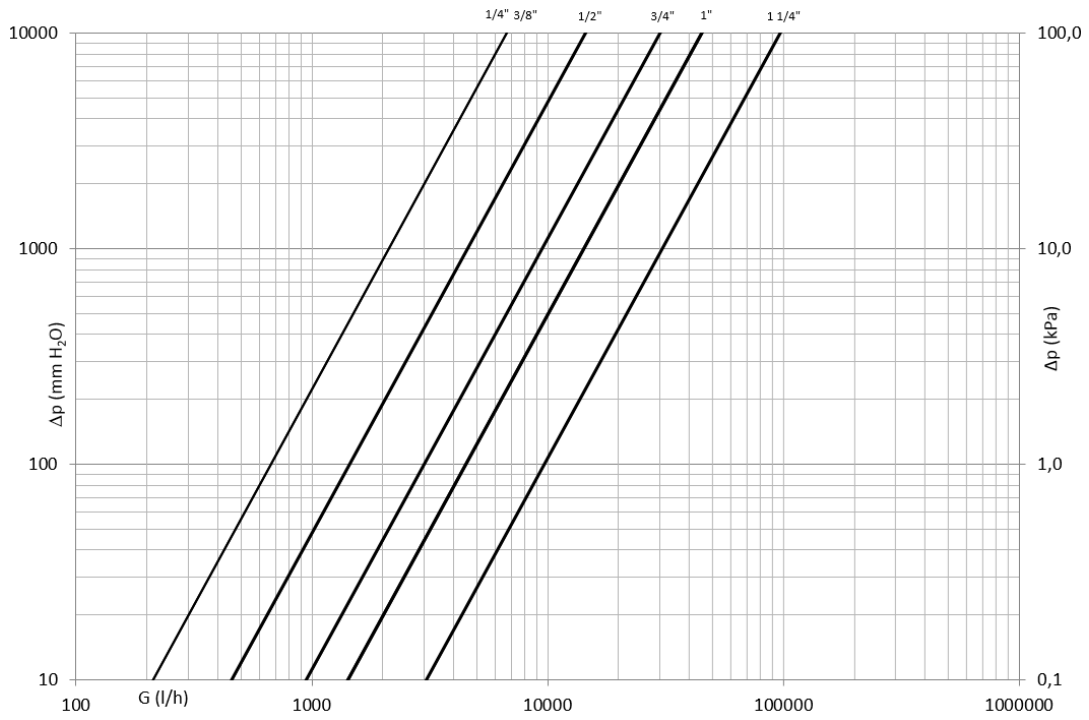
APPROVALS



Certificate n° 03/00191

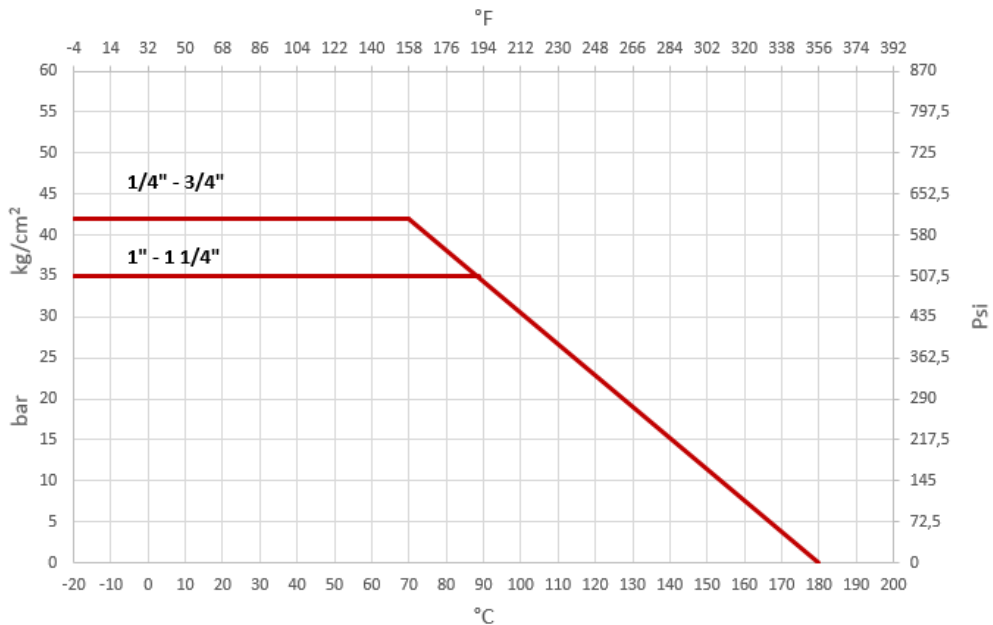


PRESSURE DROP DIAGRAM



Model	1/4"	3/8"	1/2"	3/4"	1"	1 1/4"
Kv	6.6	6.7	14.5	30	45	97
PN	42	42	42	42	35	35

TEMPERATURE / PRESSURE DIAGRAM



RECOMMENDED WORKING TEMPERATURE / PRESSURE LIMITS

- 30 bar – 100°C – non shock
- 10 bar – 150°C – non shock