



DESCRIPTION

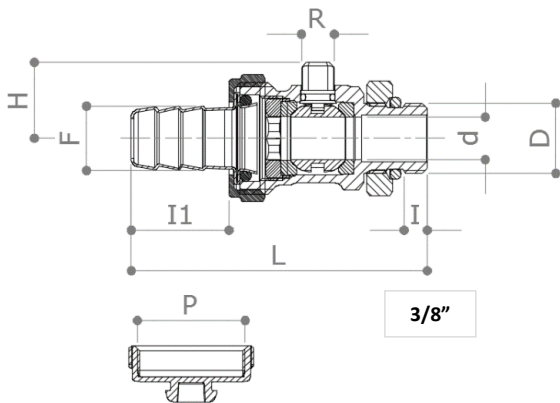
148S – 148SA – 148SC

M x hose union blow down ball valve. Cap and hose union available according to the different versions.

Brass head handle.

For water and water+glycol 30%.

DIMENSIONS

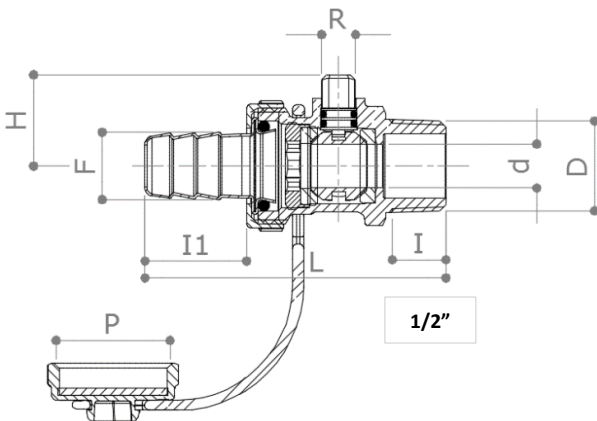


D	3/8"	1/2"
d	10	10
H	18	20.5
I	5	11.6
I1	23	23.1
L	69.5	68.4
R	8	8
F	14.5	15.2
P	3/4"	3/4"
Weight [g]	175	116
PN	25*	25*

Dimensions in mm

All threads are conform to ISO 7 or ISO 228 standards

*Only with the ball closed



MATERIALS

- Body** CW617N (UNI EN 12165) CuZn40Pb2
- Ball** CW617N (UNI EN 12164) CuZn40Pb2 Nickel plated
- Stem** CW617N (UNI EN 12164) CuZn40Pb2
- Seat** 2 x PTFE
- O-Rings** NBR (3/8") – EPDMx (1/2")
- Hose union** CW508L (UNI EN 12449) CuZn37
- Cap** CW617N (UNI EN 12165) CuZn40Pb2

VARIANTS

- 148S:** drain valve **without** cap and hose connection
- 148SA:** drain valve with cap only
- 148SC:** drain valve with cap and hose connection, not mounted
- 148SCM:** drain valve with cap and hose connection, already mounted

RECOMMENDED WORKING TEMPERATURE / PRESSURE LIMITS

16 bar – 70°C – non shock
 Minimum temperature: -10°C, no frost
 Maximum peak temperature: 90°C