

OEM Thermostat Remote / OEM Thermostat Remote with external sensor

The Wireless Thermostats (R 4070 & R 4070 E) are room thermostats for single room control. The Wireless Thermostats are equipped with the modern, safe and trendsetting 868 MHz technology, and they are conceived for the temperature regulation of heating and cooling surfaces. In the variant R 4070, an internal sensor controls the room temperature. In the variant R 4070 E, the Wireless Thermostat is equipped with an external sensor and serves for the temperature adjustment of heating surfaces (e. g. floor heating). The room temperature is influenced by the desired temperature adjustment of the heating surface, a direct room temperature control is not provided here.

The Wireless Thermostats offer maximum comfort for individual temperature control and help saving energy in conjunction with the Digital Timer DS 1000.

The OEM thermostat remote with external sensor has been specially developed for the customer-specific use in OEM businesses. It is characterised by a clear and modern shape. A further differentiation can be obtained by customised designs. The product is equipped with a range limitation of the adjustable set temperature.

Installation may be performed on a flush-type box as well as directly to the wall. The connection and mounting works can be performed intuitively and installation-friendly.



Features

- OEM design
- 868 MHz technology
- Rotary temperature control with 1/4 degree soft clicks
- External sensor as remote sensor/floor sensor (only R 4070 E)
- Quick and easy installation
- Precise control response
- Direct wall mounting
- Installation on flush-type box (D/CH)
- Limitation of set temperature range
- Set value calibration

Application

The OEM thermostat remote with external sensor serves for the floor temperature control of surface heating systems.

General information

Type

R 4070: Version Wireless 868 MHz

R 4070 E: Version Wireless 868 MHz with external sensor

Scope of supply

1x OEM Thermostat R 4070 or R 4070 E

1x installation instruction in 11 languages

1x external sensor with 3 m cable (only R 4070 E)

Customer-specific version

Following differentiations are possible:

- Own article number
- Own casing colour
- Own casing
- Own scaling

Ordering information

Our staff will be glad to assist you in finding the OEM Thermostat fitting your application.

Call us under: +49 (0) 53 41 - 84 75 - 0

Functions

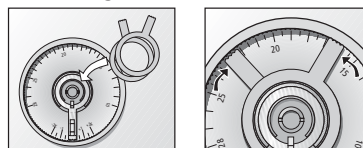
Standard

Control response

The OEM thermostat is an electronic two-position controller with external sensor. The connected thermoelectric actuators are opened and closed via the PI control system realised by a connection to the basis (AB 4071 / B 4071 / B 2070). The external sensor measures the temperature to be regulated.

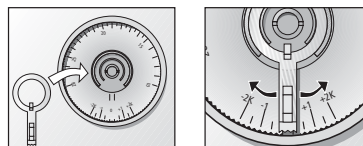
Limitation of set temperature range

The adjustment range of the turning knobs can be selected individually by means of riders. The corresponding riders are inserted underneath the turning knob.

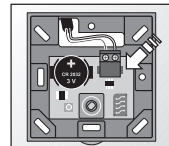
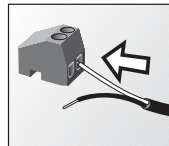


Set value adjustment

According to the given conditions of rooms, or of the constructional structure, it is possible to balance a possible control deviation of the room temperature, by -2 K ... 2 K. For this purpose, there is a set value balance rider in the turning knob.



Version with external sensor R 4070 E



By connecting the external sensor, the internal sensor is deactivated.

Control panel

1. Temperature selector:

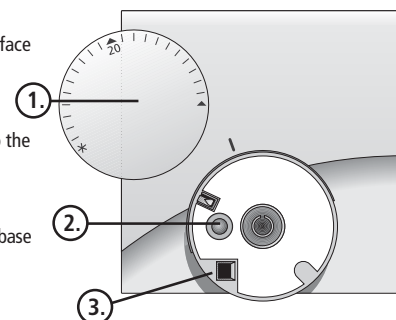
Adjustment of the desired surface temperature

2. SET button:

For sending the logon code to the Wireless Basis

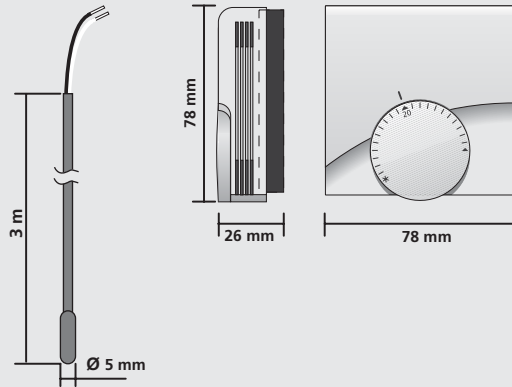
3. Lock:

Locks the casing to the system base



Technical data

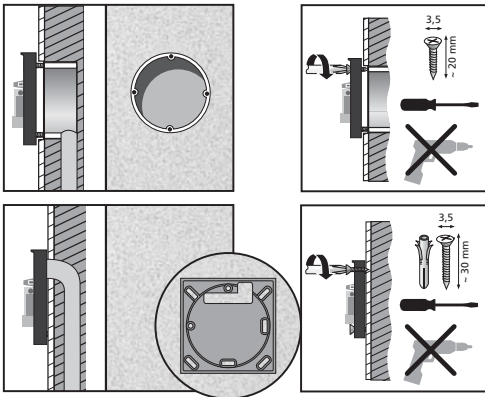
Type	R 4070 / R 4070 E
Control range	4°C to 28°C
Transmitting frequency	868 MHz band
Radiated power	< 10mW
Temperature setback	possible via external clock (TM 1000 / DS 1000)
Coverage inside buildings	approx. 25 m
Transmitting interval	9-10 min
Controlling precision at 20°C	+/- 1 K
Battery type	1x button cell (CR2032), 3 V
Battery service life	approx. 5 Jahre
Storage temperature	-20 to +70°C
Ambient temperature	0 to +50°C
Relative humidity	max. 80%, not condensing
Degree of protection	IP 30
Protection class	III
CE conformity according to	EN 60730
Casing material	ABS
Housing colour	pure white
Weight	95 g
Adjustment range of the set value balance	2 K



Planning and installation notes

Installation note

Pull off rotary temperature control, unlatch the lock by means of a small screwdriver and remove upper part of casing. Align the lower part of the casing at its mounting position and tighten the screws by hand.

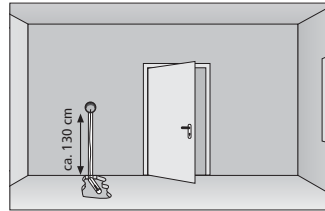


Installation place R 4070

Note!

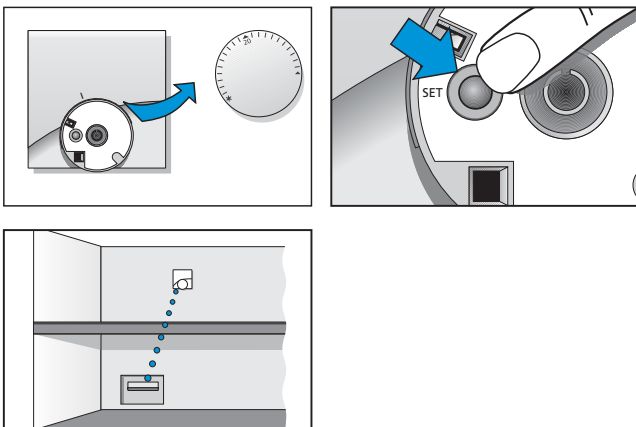
In order to ensure a trouble-free and thus optimum control operation, a thermostat with external sensor should be installed in a quiet zone - free from environment influence as humidity, direct sunlight exposure or other sources of heat. Otherwise it may occur that the set temperature is exceeded or not achieved, depending on the respective environment influence. Recommendations and notes on the installation of the external sensor

Installation place R 4070 E – Floorsensor & external sensor

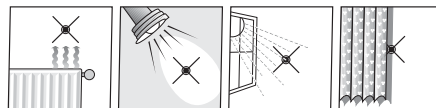
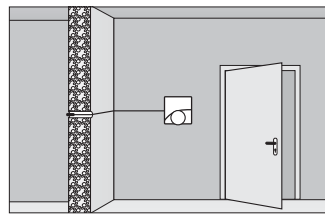


- not to be positioned on the exterior walls of a room
- 2 to 8 cm distance from the heating system (e. g. floor heating tube)
- installation of the external sensor in empty tube
- only the temperature at the position of the external sensor is measured.

Assignment of heating zones



After supplying operation voltage to the Wireless Basis (AB 4071 / B 2070 / B 4071). After that, the assignment „Heating zone – Wireless Thermostat“ can be performed. The assignment should be done from the installation place of the thermostat.



Device overview

