



DESCRIPTION

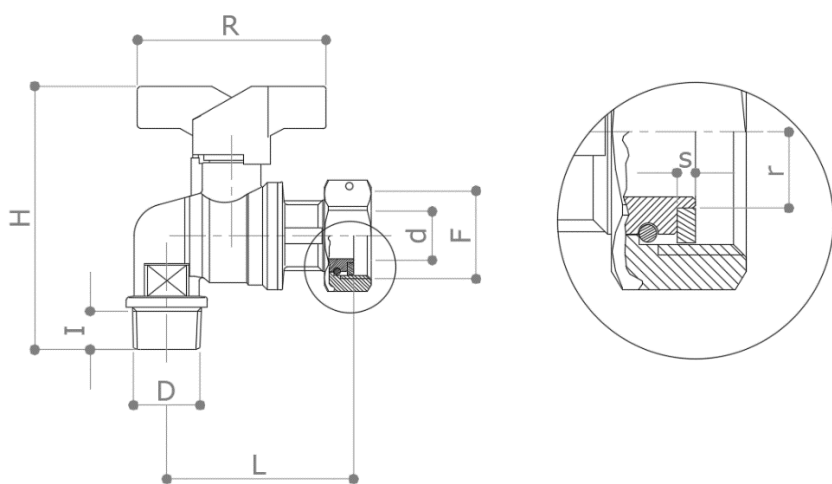
209/1

F (free nut) x M angle ballvalve for water meter. Anti-legionella ball with additional bore on the bottom to avoid water stagnation in the space between the ball and the body. Red butterfly handle. T.E.A. Plus plated.

Available with blue butterfly handle **209/1B**.
Available with green butterfly handle **209/1V**.

Conform to EN 13828

DIMENSIONS



| F x D | 3/4" x 1/2" | 3/4" x 3/4" |
|------------|-------------|-------------|
| d | 15 | 15 |
| H | 80 | 83 |
| l | 13 | 15 |
| L | 57.5 | 57.5 |
| R | 58 | 58 |
| r | 8.3 | 8.3 |
| s | 2 | 2 |
| Weight [g] | 270 | 285 |

Dimensions in mm

All threads are conform to ISO 7 or ISO 228 standards

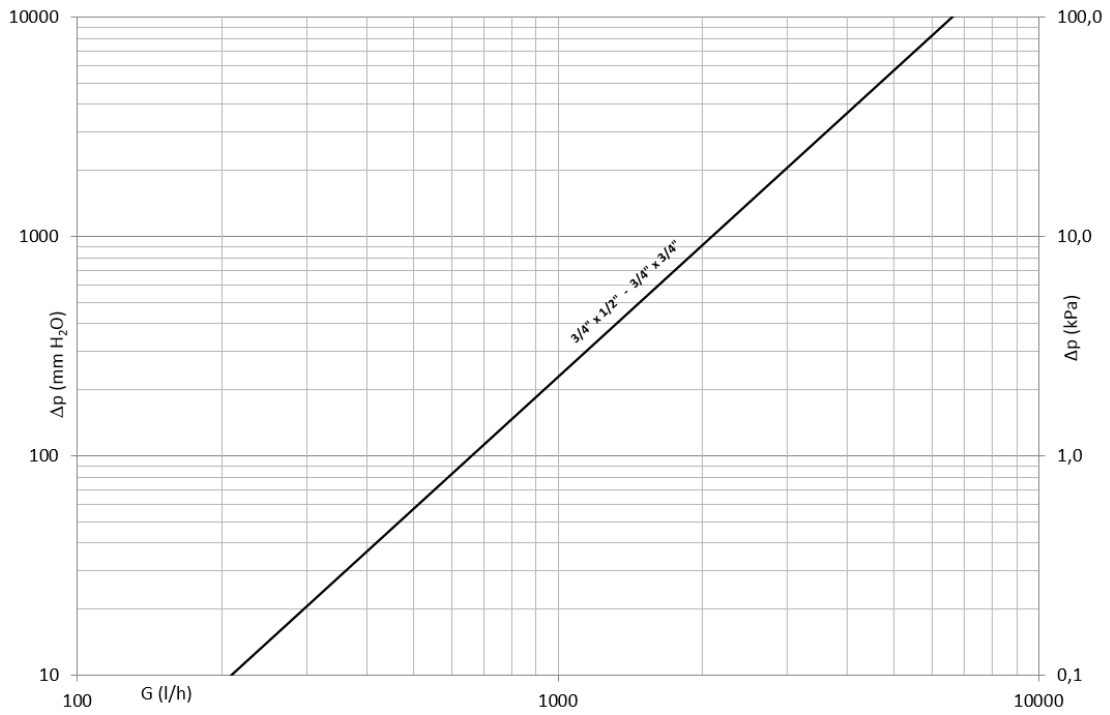
MATERIALS

- Body** CW617N (EN 12165) CuZn40Pb2 T.E.A. Plus plated
- Ball** CW617N (EN 12165) CuZn40Pb2 T.E.A. Plus plated
- Stem** CW614N (EN 12164) CuZn39Pb3
- Stuffing box** CW614N (EN 12164) CuZn39Pb3 Adjustable
- Nut** CW617N (EN 12165) CuZn40Pb2 T.E.A. Plus plated
- Seat** 2 x PTFE + 1 x PTFE seal on the stem
- O-Rings** 2 x FKM
- Gasket** EPDM-x
- Handle** Painted aluminum

APPROVALS

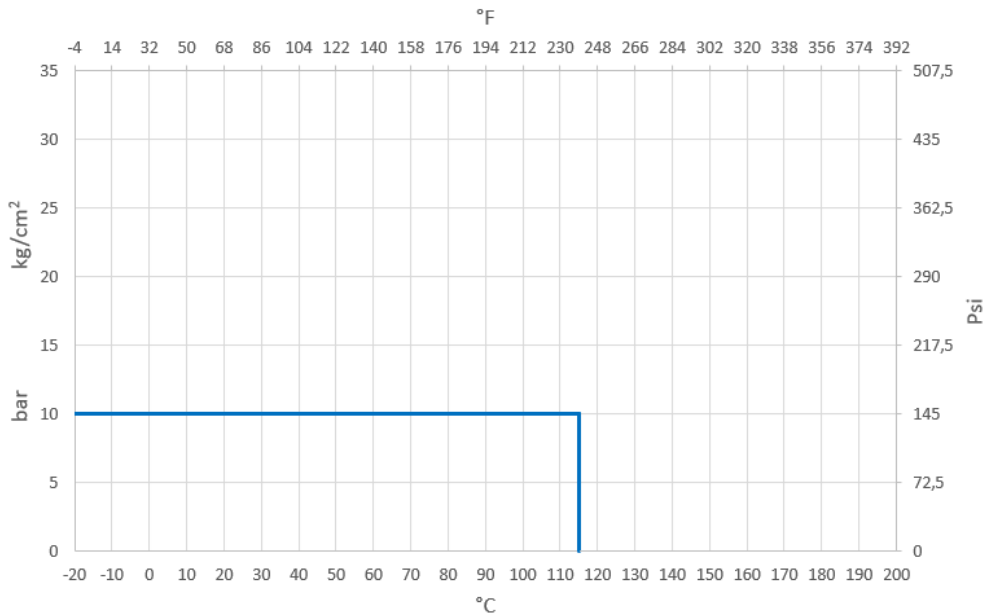


PRESSURE DROP DIAGRAM



| Dim. | 3/4" x 1/2" | 3/4" x 3/4" |
|------|-------------|-------------|
| Kv | 6.6 | 6.6 |
| PN | 10 | 10 |

TEMPERATURE / PRESSURE DIAGRAM



RECOMMENDED WORKING TEMPERATURE/PRESSURE LIMITS

10 bar – 100°C – non shock