



DESCRIPTION

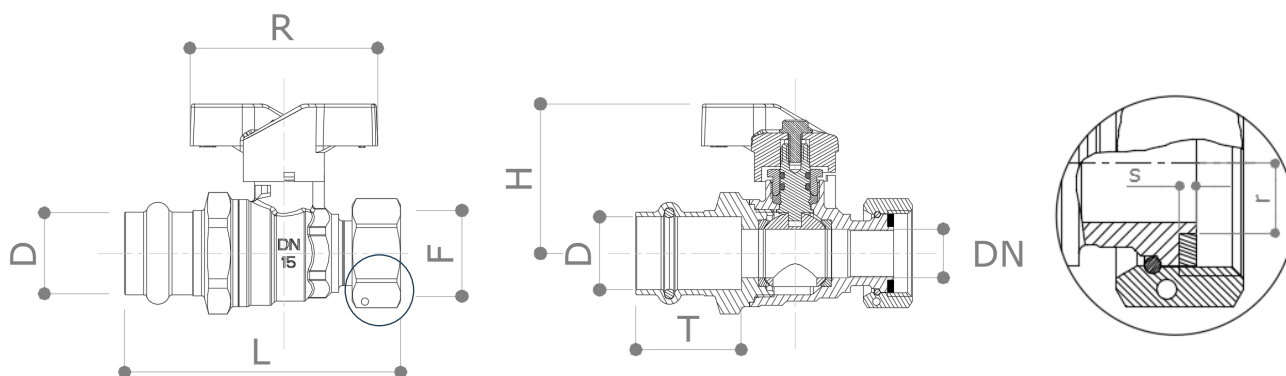
P102/4

Press F x F (free nut, flat seat) DN 15 ball valve for water meter connection. T.E.A. Plus plated. Blue butterfly handle.

According to EN 1254/7 and EN 13828 standards.

Anti-Legionella ball with an additional bore on the bottom to avoid water stagnation between in the space between the ball and the body.

DIMENSIONS



D x F	15 x 3/4"	18 x 3/4"	22x3/4"
D	15	18	22
DN	15	15	15
H	46	46	46
T	31.5	32.5	32.5
L	84	84	85.5
R	58	58	58
r	8.3	8.3	8.3
s	2	2	2
Weight [g]	252	252	260

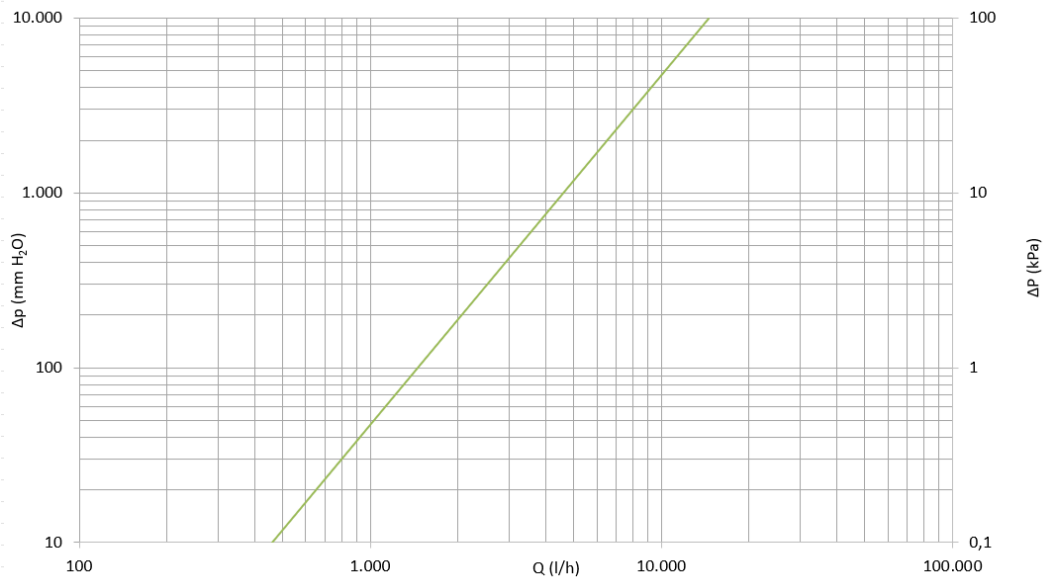
Dimensions in mm

All threads are conform to ISO 7 or ISO 228 standards

MATERIALS

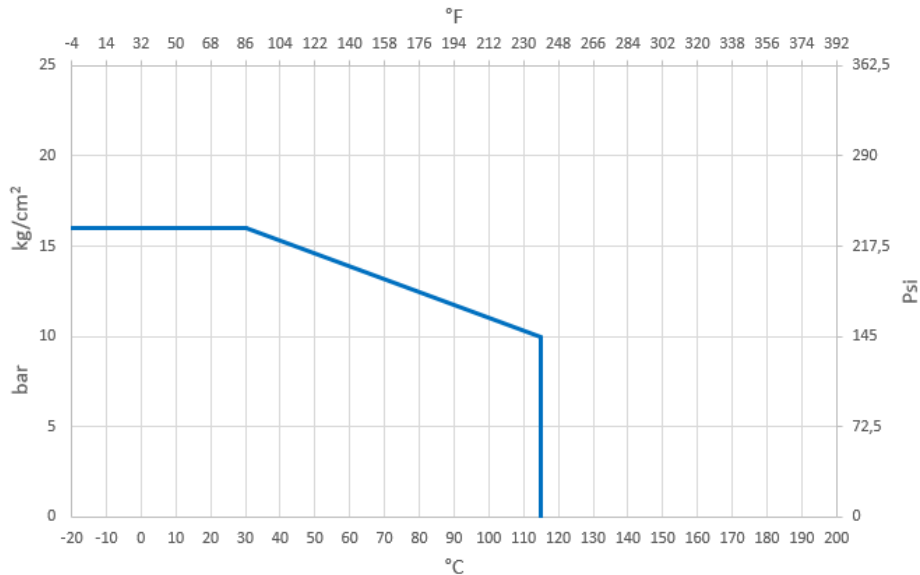
- Body** CW617N (EN 12165) CuZn40Pb2 T.E.A. Plus plated
- Ball** CW617N (EN 12165) CuZn40Pb2 T.E.A. Plus plated
- Fitting** CW602N (EN 12167) CuZn36Pb2As TEA Plus
- Stem** CW614N (EN 12164) CuZn39Pb3
- Stuffing box** CW614N (EN 12164) CuZn39Pb3 Adjustable
- Nut** CW617N (EN 12165) CuZn40Pb2 T.E.A. Plus plated
- Seat** 2 x PTFE + 1 x PTFE seal on the stem
- O-Rings** 2 x FKM
- Nut seal** 1 x EPDMX / EPDM / Fibre
- Handle** Aluminum

PRESSURE DROP DIAGRAM



D [mm]	15 x 3/4"	18 x 3/4"	22x3/4"
Kv	14.5	14.5	14.5
PN	16	16	16

TEMPERATURE / PRESSURE DIAGRAM



RECOMMENDED WORKING TEMPERATURE/PRESSURE LIMITS

10 bar – 115°C – non shock