

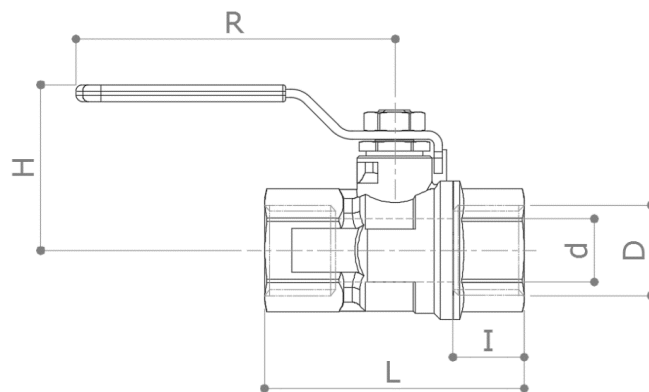


DESCRIPTION

51G

F x F heavy duty full-flow ball valve, low lead and DZR brass CW511L 0,2%. Yellow finishing. Green lever. Reversible red steel handle.

DIMENSIONS



D	½"	¾"	1"	1 ¼"
d	15	20	25	32
H	39	49	61	66
I	17	18	21.5	23.5
L	62	69	84	96
R	75	95	120	120
Weight [g]	230	370	660	1000

Dimensions in mm

All threads are conform to ISO 7 or ISO 228 standards

MATERIALS

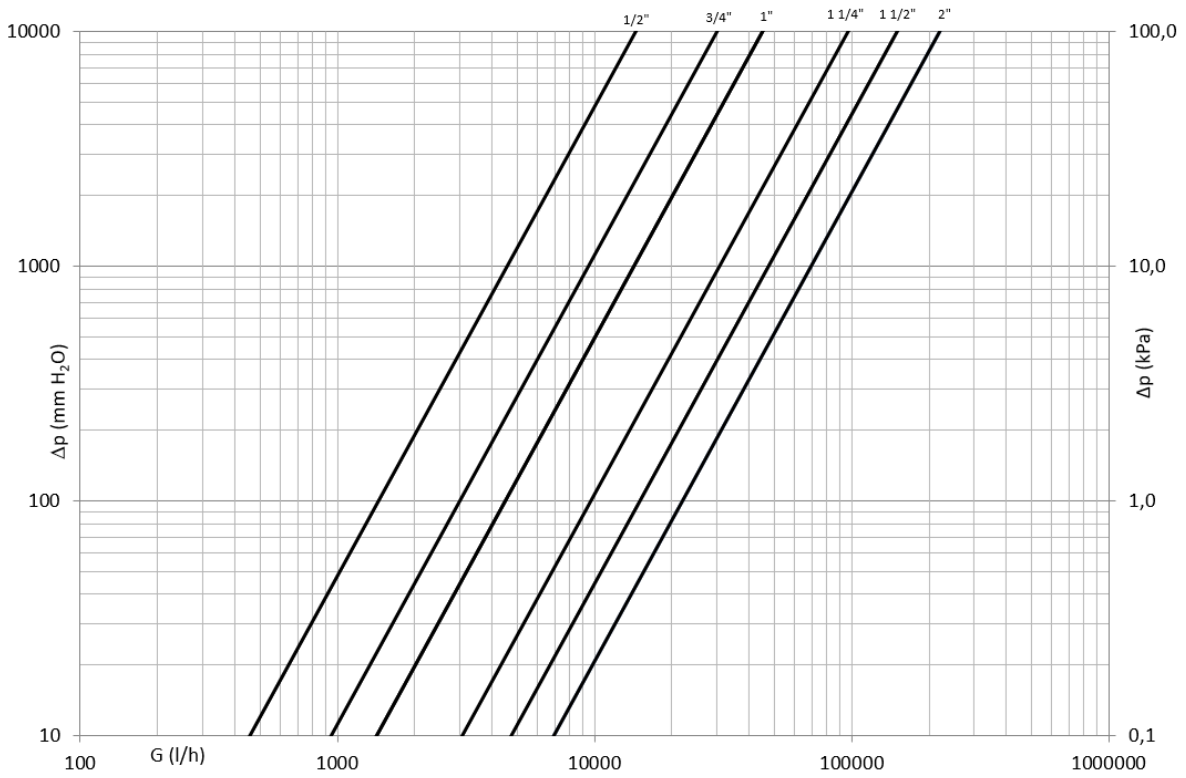
- Body** CW511L (EN 12165) CuZn38PAs
- Ball** CW511L (EN 12165) CuZn38PAs T.E.A. Plus plated
- Stem** CW510L (EN 12165) CuZn42
- Stuffing box** CW614N (EN 12164) CuZn39Pb3 Adjustable
- Seat** 2 x PTFE + 1 x PTFE seal on the stem
- O-Rings** 2 x FKM
- Handle** Delta Protect coated steel. PVC grip with "Pad printing"

APPROVALS



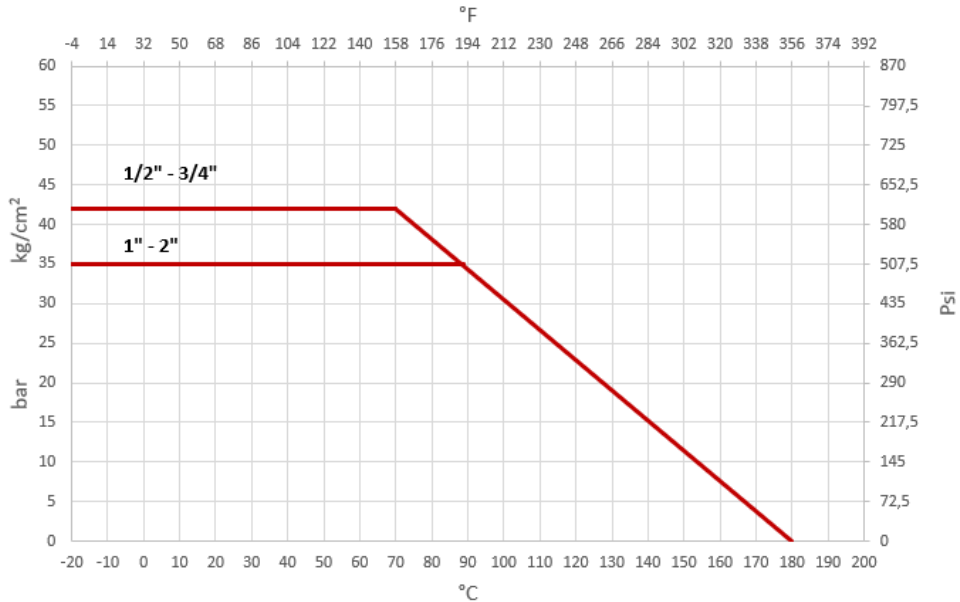
Certificate n. : 03/00202

PRESSURE DROP DIAGRAM



Dim.	½"	¾"	1"	1 ¼"	1 ½"	2"
Kv	14.5	30	45	97	150	220
PN	42	42	35	35	35	35

TEMPERATURE / PRESSURE DIAGRAM



RECOMMENDED WORKING TEMPERATURE/PRESSURE LIMITS

- 30 bar – 100°C – non shock
- 10 bar – 150°C – non shock
- 20°C: lower temperature limit with 50% glycol. No frost.

STE0466 rev.00 15/09/2021