



DESCRIPTION

103 – K103/2

PA66 (GF30) magnetic dirt separator with strainer for heating and cooling systems. Equipped with:

- Inspectable filter (700 µm).
- Adjustable drain for maintenance operations.
- Removable magnet for maintenance operations.
- Manual air vent
- Orientable tee connection

APPLICATION FIELD

The **EvoMAGIC** 103 series magnetic dirt separator is used as a separator for impurities (magnetic and non-magnetic) that are often found in small/medium size heating and cooling systems; the presence of a removable magnet and an adjustable drain allows to discharge these impurities quickly and effectively during maintenance operations.

It has been developed to work only on vertical axis; so, the **EvoMAGIC** series 103 magnetic dirt separator is equipped with a tee connection (360°) which allows several connection positions: horizontal, vertical or even tilted axes pipes.

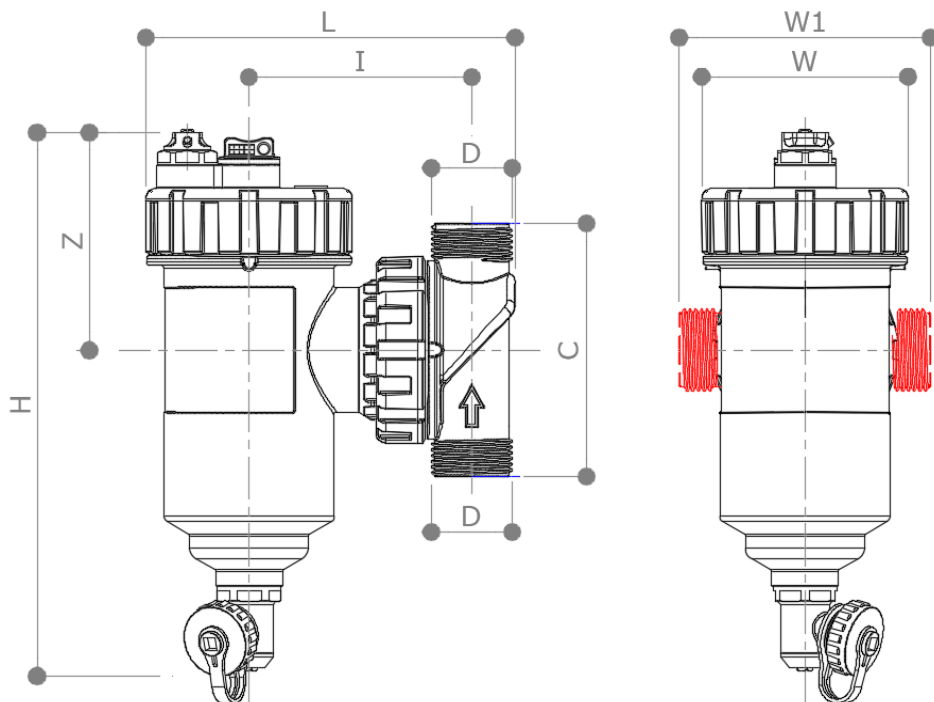
Because of the specific capacity and allowable flow rate, the **EvoMAGIC** 103 series magnetic dirt separator is not suggested to be installed under wall boilers (sub-boiler) (please refers to series 102V and 102H); on the other hand, it could be installed in small heating/cooling stations.

Different versions are available:

- 103 – magnetic dirt separator with strainer.
- K103/2 – kit magnetic dirt separator with 2 ball valve 52MET/1 1”M x 1”F flat end swivel nut.
- K103/2 – kit magnetic dirt separator with 2 ball valve 52MET/1 ¾”M x 1”F flat end swivel nut.

DIMENSIONS

103

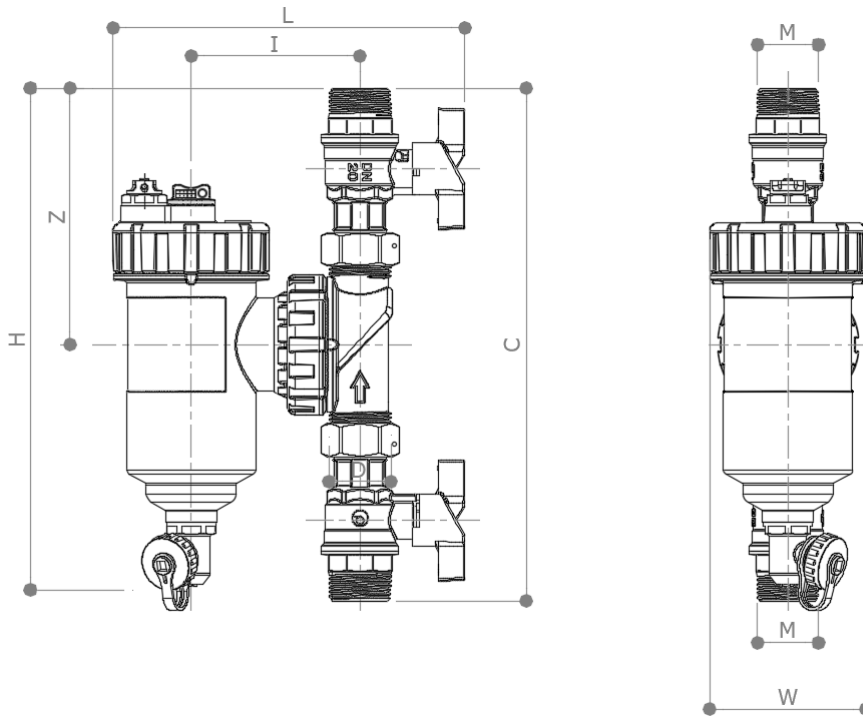


| | | |
|--------|---|----------------------|
| D | = | 1" M ISO228 flat end |
| L | = | 149 mm |
| H | = | 219 mm |
| I | = | 90 mm |
| Z | = | 88 mm |
| C | = | 102 mm |
| W | = | 84 mm |
| W1 | = | 102 mm |
| Weight | = | 620 g |

W max width with orientable connection in vertical position

W1 max width with orientable connection in horizontal position

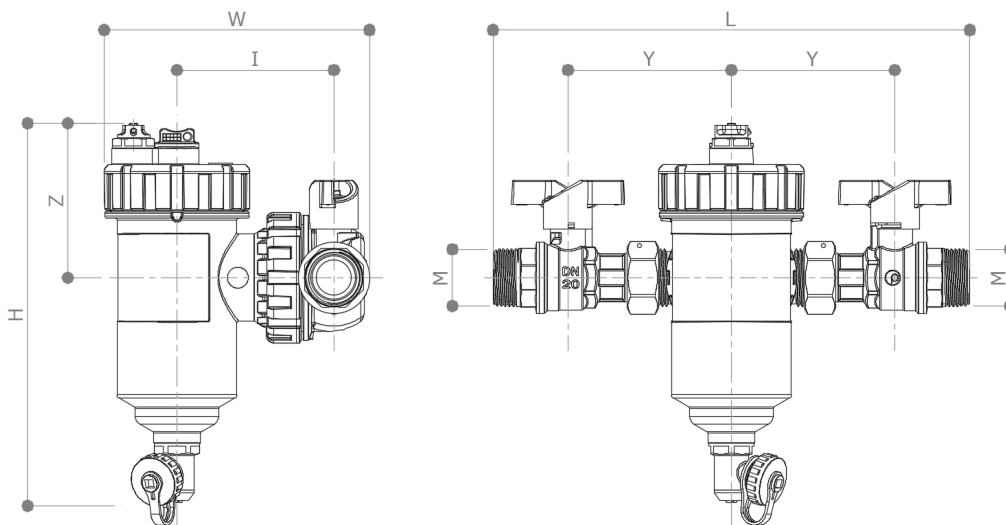
K103/2 – VERTICAL PIPES



| | | | |
|--------|---|------|------|
| M | = | ¾" M | 1" M |
| L | = | 188 | 188 |
| H | = | 270 | 268 |
| I | = | 90 | 90 |
| Z | = | 139 | 137 |
| C | = | 278 | 274 |
| W | = | 84 | 84 |
| Weight | = | 1472 | 1512 |

Dimensions in mm and weight in g

K103/2 – HORIZONTAL PIPES



| | | | |
|--------|---|------|------|
| M | = | ¾" M | 1" M |
| L | = | 278 | 274 |
| H | = | 219 | 219 |
| I | = | 90 | 90 |
| Z | = | 88 | 88 |
| Y | = | 94 | 94 |
| W | = | 153 | 153 |
| Weight | = | 1472 | 1512 |

Dimensions in mm and weight in g

COMPONENTS AND MATERIAL

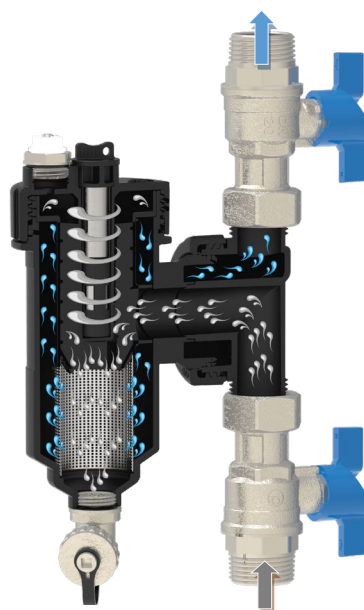
| | |
|-------------------------------|----------------------|
| Body | PA66 (GF30) |
| Internal flow diverter | POM |
| Magnet holder | POM |
| Holding nut | POM |
| Orientable connection | PA66 (GF30) |
| Cap | PA66 (GF30) |
| Drain | CW617N Nickel plated |
| Manual air vent | CW614N |
| Ball valves (K103/2) | EN12163 - CW617N |
| Strainer | AISI 304 |
| Washers and O-Ring | EPDM |

FEATURES

| | |
|--------------------------------|-------------------------|
| Medium | Water (glycol max.30 %) |
| Max working temperature | 90°C |
| Max working pressure | 4 bar |
| Magnet | REN35 11.800-12.400 Gs |
| Strainer mesh | 700 µm |

OPERATING PRINCIPAL

Thanks to the magnet and the strainer, the EvoMAGic 103 series magnetic dirt separator can capture and collect the suspended debris (magnetic and non-magnetic) carried around by the flow. A specific lamellar diverter conveys the flow inside a strainer delimited; the magnetic field generated by the removable magnet acts within it. The magnetic impurities are caught thanks to the magnet, whereas the non-magnetic particles are blocked by the strainer and tends to settle in the bottom body (calm chamber) of the dirt separator. Once the strainer is crossed, the cleaned flow rate moves on towards the generator (boiler, chiller or heat pump). A specific feature of EvoMAGic 103 series is the orientable connection: despite the dirt separator has to work vertically, the 360° orientable connection allows the installation on different pipe direction. It can be installed on vertical, horizontal or tilted pipes. Installation requirements must be observed. Refers to specific INSTALLATION section.



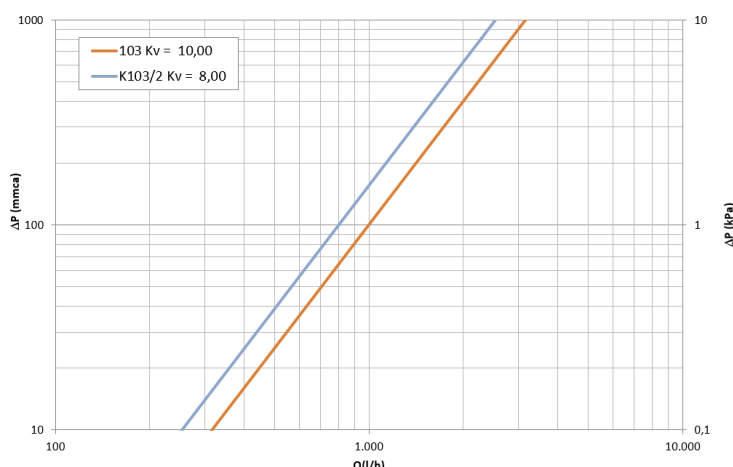
A specific feature of EvoMAGic 103 series is the orientable connection: despite the dirt separator has to work vertically, the 360° orientable connection allows the installation on different pipe direction. It can be installed on vertical, horizontal or tilted pipes. Installation requirements must be observed. Refers to specific INSTALLATION section.

PRESSURE DROP DIAGRAM

The diagram shown beside represents the trend of the pressure drops generated by the dirt separator according to the flow rate across it.

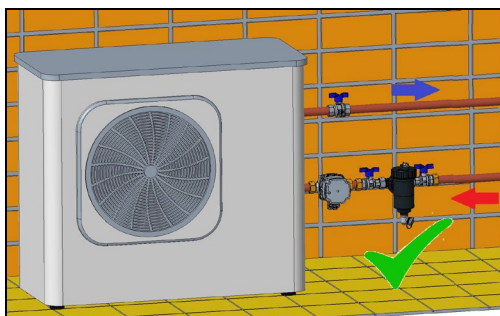
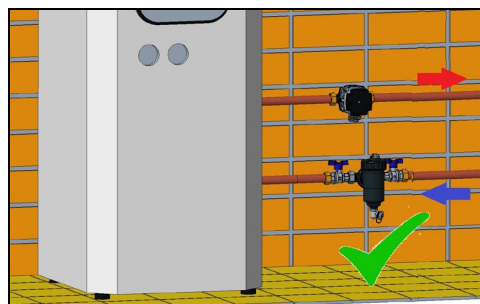
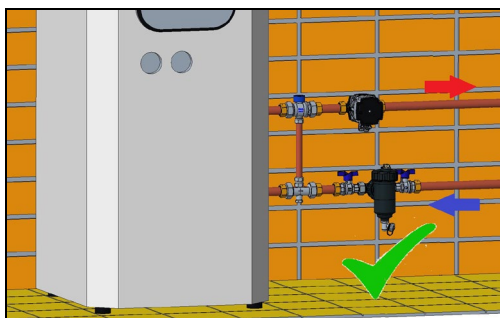
According to design rules, water speed into pipes should not exceed 1,2-1,3 m/s. This means that the suggested max flow rate across the dirt separator should be around 1,35/1,40 m³/h (1350-1400 l/h).

- Kv = 8 with valves (i.e. K103/2)**
- Kv = 10 without valves (103)**

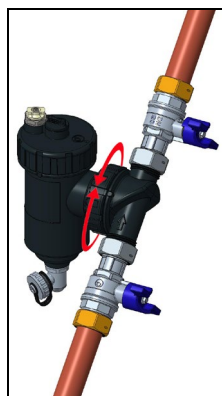
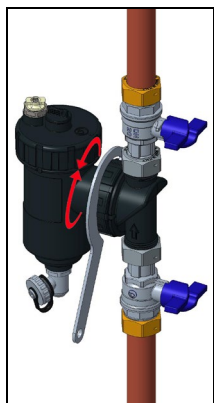
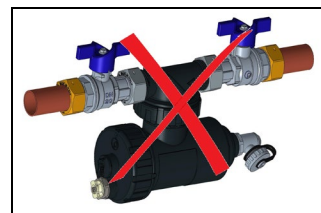
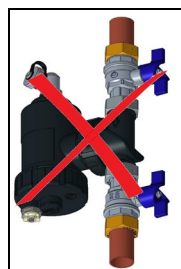
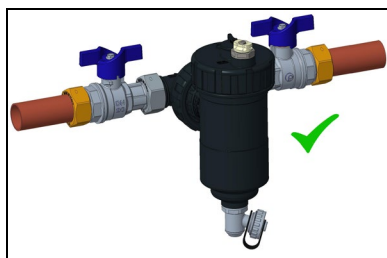
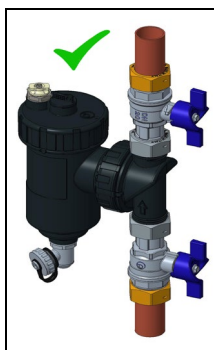


INSTALLATION

The EvoMAGic 103 series magnetic dirt separator has been specifically developed for installation in heating/cooling rooms. It must be installed on the **RETURN** pipes (just upstream the heat generator or any other device/by-pass to control or divert the flow) in order for catching and collecting all the magnetic and non-magnetic particles. **Flow direction must be observed** to ensure the proper operation of the product (see arrows on orientable connection).

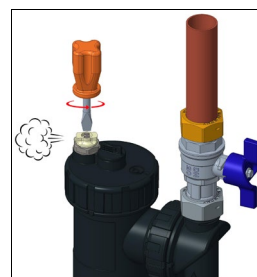


Upside-down and horizontal installation of the magnetic dirt separator **MUST BE AVOIDED**



Thanks to the 360 ° swivel connection, using the specific provided key, installation on pipes that run vertically, horizontally or tilted is possible and easy. Avoid any installation position with the dirt separator axis is placed horizontally, diagonally or even upside down.

The air vent on the top cap allows air purging gathered in the upper part of the dirt separator chamber. The air vent can be open and closed through a flat screwdriver.

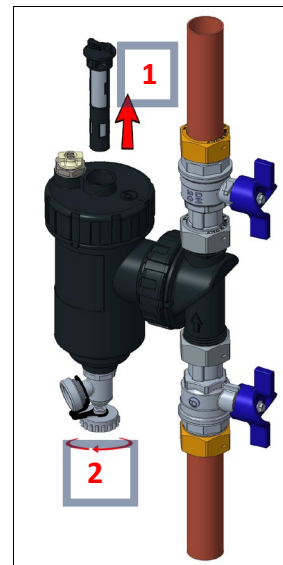


CLEANING AND MAINTENANCE

Particles removal

Removal of a-magnetic particles (captured by the strainer) and magnetic particles (attracted by the magnet) can be carried out as follows:

1. Remove the magnet by pulling it up;
2. open the orientable drain through the square key on the drain cap. Before opening the drain, connect a hose with 3/4" hose connection.

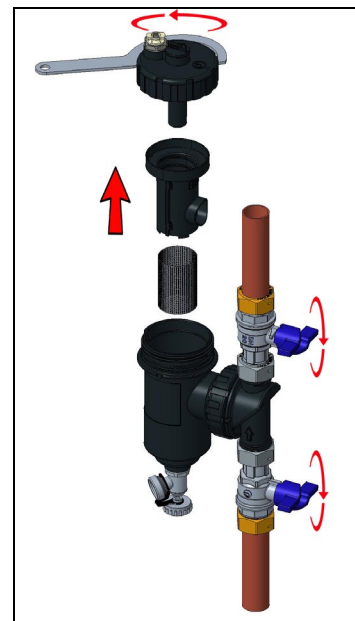


Removal and cleaning of the strainer

This operation MUST be carried out with the system OFF.

Firstly, close the valves upstream and downstream the dirt separator: always minimize the water leakage.

Through the provided key, loosen and remove the upper cap. Then, pull the strainer out and clean it with fresh water; if required, replace it. Finally, re-assemble everything. Care must be taken pushing the strainer in the upper body of the dirt separator.



ACCESSORIES

52MET/1: ball valve 1" M x 1" F flat end swivel nut.

52MET/1: ball valve 3/4" M x 1" F flat end swivel nut.



52MET: ball valve 1" F x 1" F flat end swivel nut.

52MET: ball valve 3/4" F x 1" F flat end swivel nut.



WARNING

The EvoMAGic 103 series magnetic dirt separator has a powerful magnet. It generates strong magnetic fields inside the device. Pacemaker holders are recommended to keep at a safe distance during operation and maintenance. Pay attention when using electronic devices near the magnet: performances can be affected by the magnetic field.