



DESCRIPTION

51FG

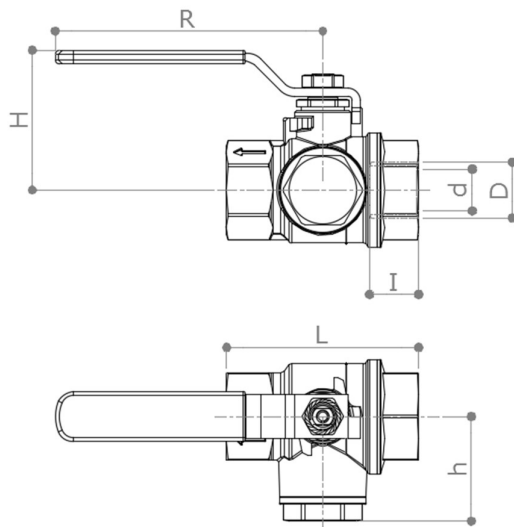
F x F heavy duty ballvalve **Filterball®** with integrated strainer FM28. Very easy to inspect and maintain.

Reversible green steel handle.

Made in DZR CW511L alloy (Pb < 0.1%).

Conform to **EN 13828** standard

DIMENSIONS



D	½"	¾"	1"	1 ¼"	1 ½"	2"(51FGL)
d	18	20	28.5	35.5	45	45
H	50	50	66	82	89	89.5
h	37	37	51	60	74	76.5
I	15	16	21.5	23.5	23.5	26
L	69	69	95	111	127	154
R	95	95	120	150	150	150
Weight [g]	435	445	1145	1900	2800	3260

Dimensions in mm

All threads are conform to ISO 7 or ISO 228 standards

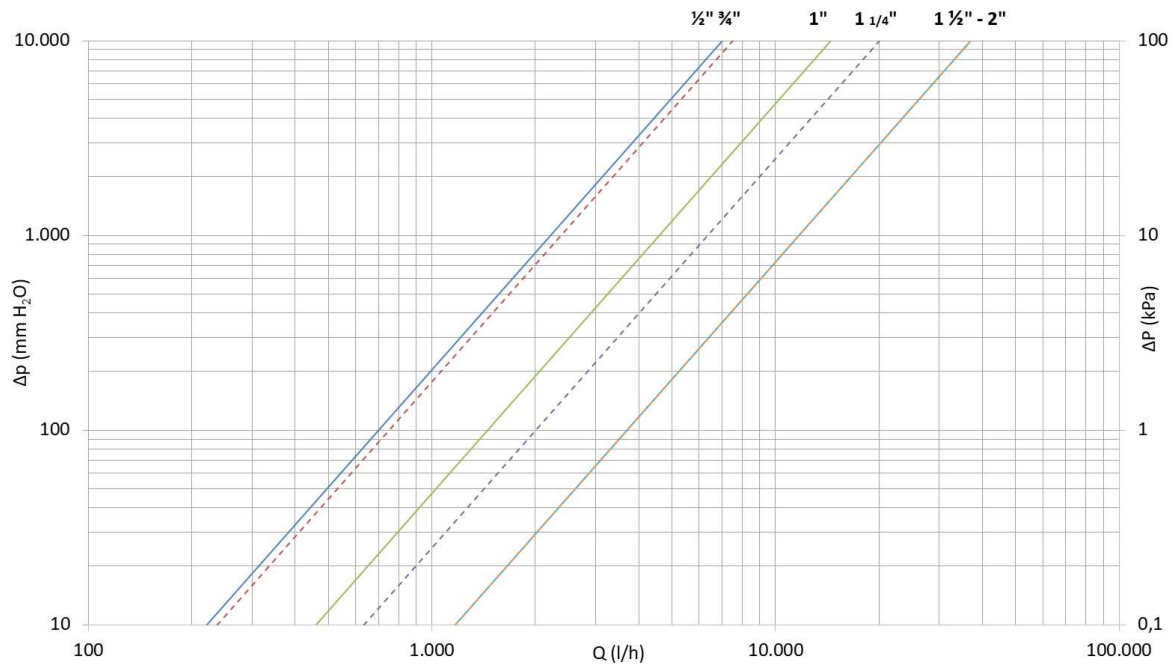
MATERIALS

- Body** CW511L (EN 12167) CuZn38 Pb< 0.1%
- Fitting** CW511L (EN 12167) CuZn38 Pb< 0.1%
- Cap** CW511L (EN 12167) CuZn38 Pb< 0.1%
- Ball** CW511L (EN 12167) CuZn38 Pb< 0.1% - Chrome plated
- Stem** Stainless Steel AISI 316
- Stuffing box** CW614N (EN 12164) CuZn39Pb3 Adjustable
- Strainer** Stainless steel
- Seeger** Phosphoric bronze CuSn08
- Seat** 2 x PTFE + 1 x PTFE on the stem
- O-Rings** 2 x FKM
- Handle** Delta Protect coated steel. PVC grip with "Pad printing"

APPROVALS



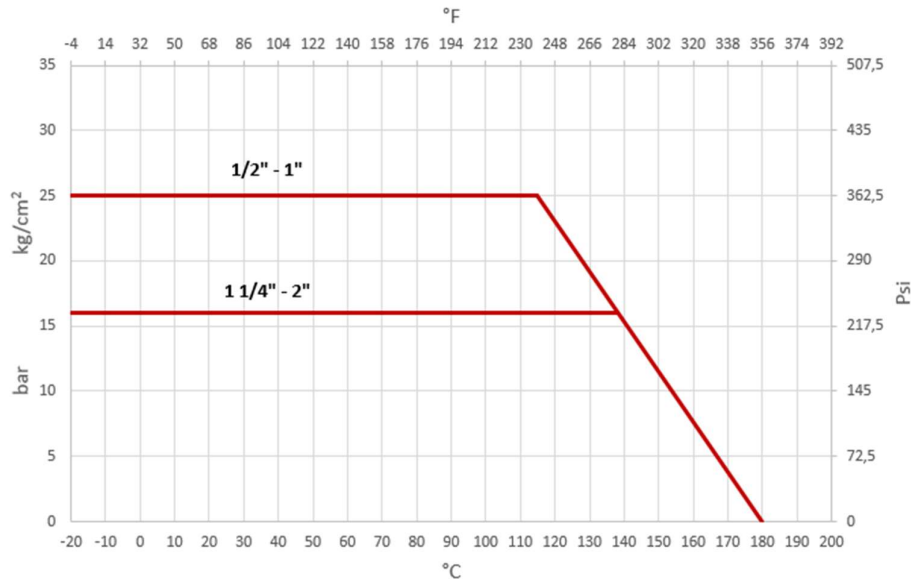
PRESSURE DROP DIAGRAM



Dim.	1/2"	3/4"	1"	1 1/4"	1 1/2"	2" (51FGL)
Kv	7	7.5	14.5	20	37	37
PN	25	25	25	16	16	16

Kv values got by using FM28 strainer.

TEMPERATURE / PRESSURE DIAGRAM



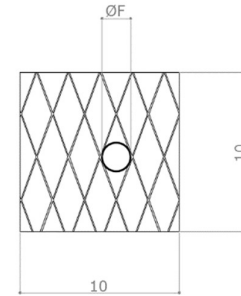
RECOMMENDED WORKING TEMPERATURE/PRESSURE LIMITS

- 16 bar – 100°C – non shock
- 10 bar – 150°C – non shock
- Max differential pressure: 10 bar
- 20°C: lower temperature limit with 50% glycol. No frost.

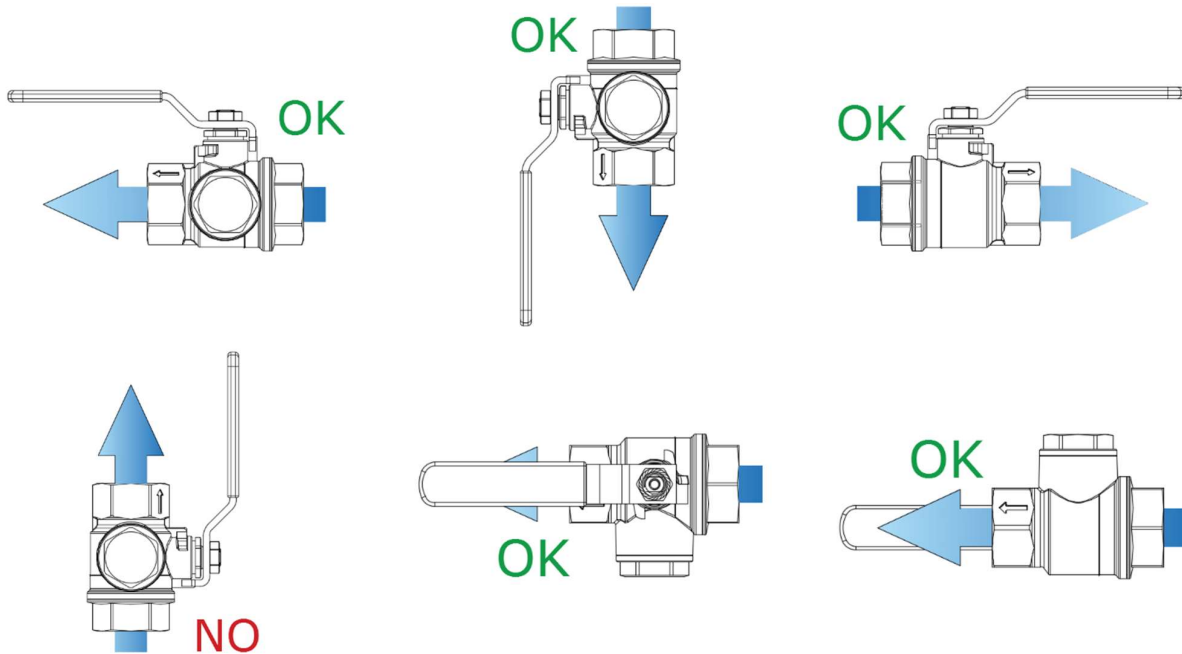
AVAILABLE STRAINERS and Hydraulic Performances (Kv)

Here the table with all the available strainers:

Valve Size	Filtering Capacity				
	Ø700 µm (0,7 mm) 28 Mesh / 1"	Ø300 µm (0,3 mm) 40 Mesh / 1"	Ø230 µm (0,23 mm) 60 Mesh / 1"	Ø180 µm (0,18 mm) 80 Mesh / 1"	Ø150 µm (0,15 mm) 100 Mesh / 1"
51FG ½"	FM028N 7	FM040N 5.2	FM060N 4.4	FM080N 4.8	FM100N 4.4
51FG ¾"	FM028N 7.5	FM040N 5.4	FM060N 4.6	FM080N 5	FM100N 4.6
51FG 1"	FM028 14.5	FM040 12.1	FM060 11.4	FM080 11.4	FM100 9
51FG 1 ¼"	FM028 20	FM040 18.6	FM060 18	FM080 18	FM100 17.7
51FG 1 ½"	FM028N 37	FM040N 28	FM060N 27	FM080N 25.5	FM100N 25
51FGL 2"	FM028N 37	FM040N 28	FM060N 27	FM080N 25.5	FM100N 25



INSTALLATION



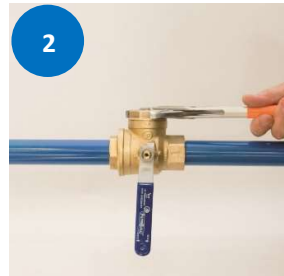
MAINTENANCE

In order to avoid an increasing of pressure losses due to scales, a yearly strainer cleaning is suggested. Please follow the instruction below to carry out the strainer maintenance:



1

- Close the valve



2

- Unscrew the inspection cap



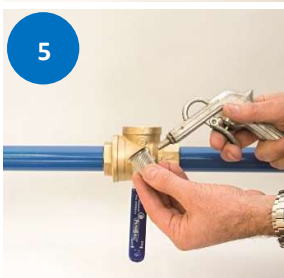
3

- Remove the Seeger ring



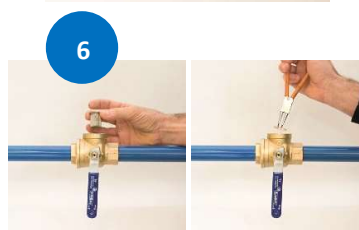
4

- Take the strainer out



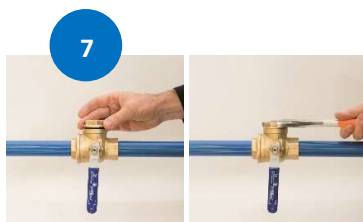
5

- Clean or change the strainer



6

- Insert the strainer and lock it with Seeger ring



7

- Screw and close the cap



8

- Open the valve