



DESCRIPTION

# 209/2

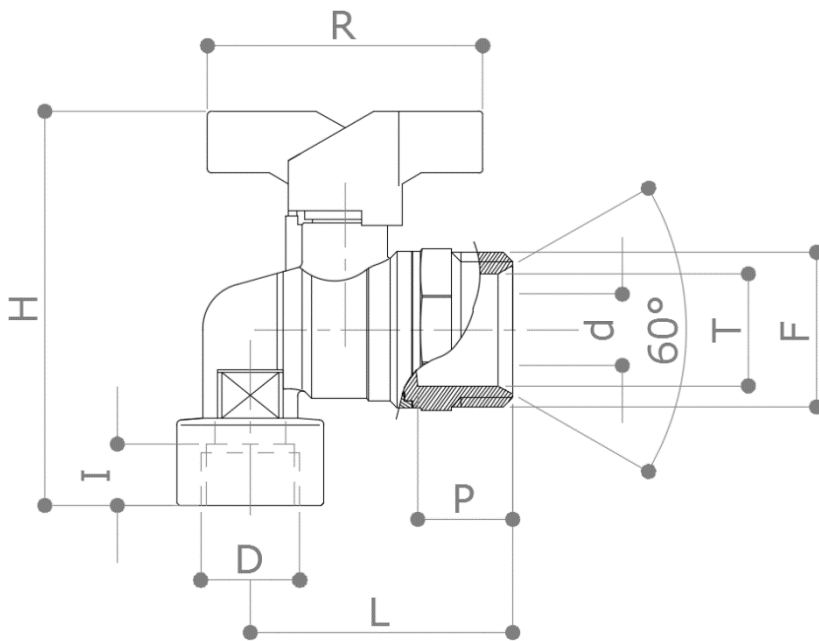
M x F angle ballvalve for water meter. Anti-legionella ball with additional bore on the bottom to avoid water stagnation in the space between the ball and the body.

Red butterfly handle. T.E.A. Plus plated.

Available with blue butterfly handle **209/2B** and green butterfly handle **209/2V**.

Conform to EN 13828

DIMENSIONS



F x D	1" x 3/4"
d	15
H	83
I	15
T	24
P	20
L	54
R	58
Weight [g]	270

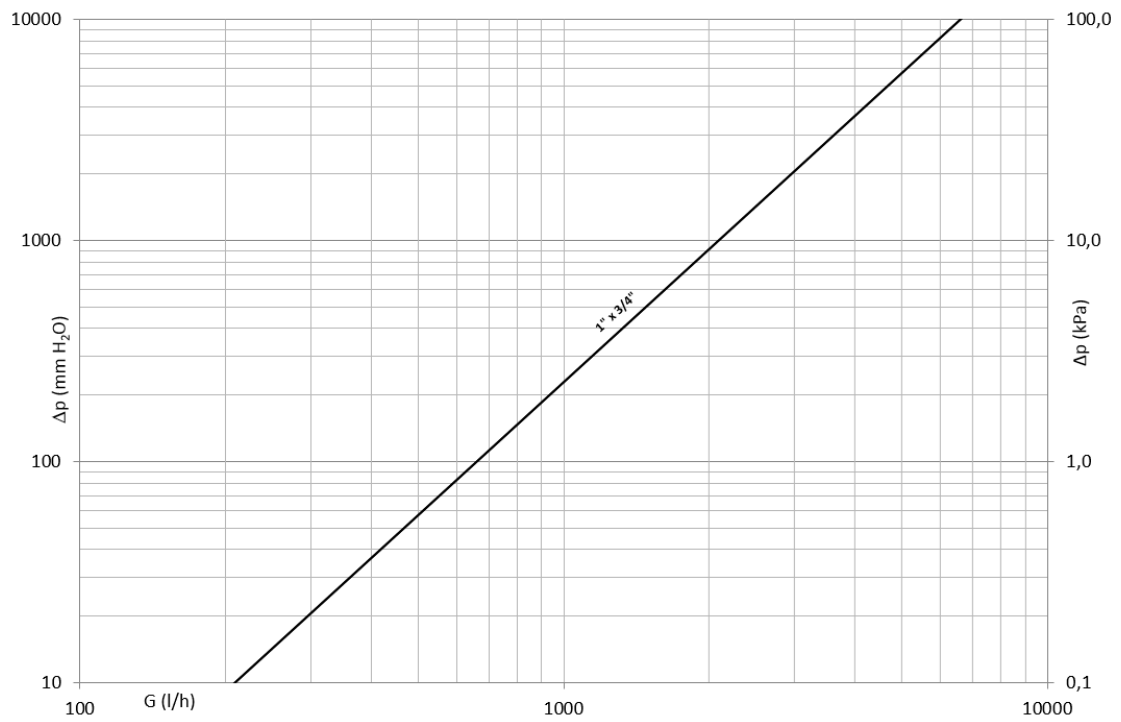
Dimensions in mm

All threads are conform to ISO 7 or ISO 228 standards

MATERIALS

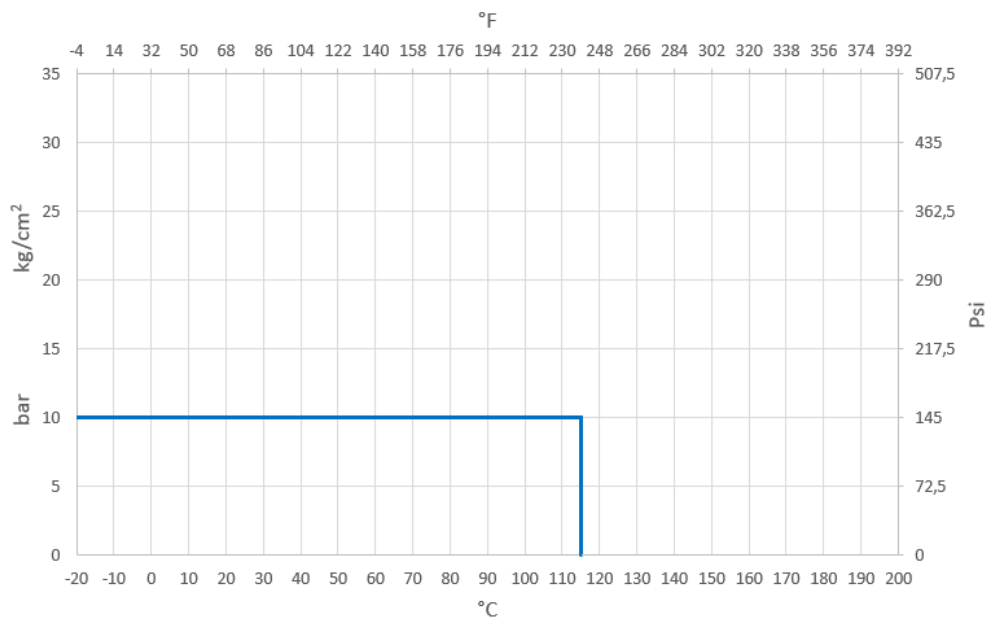
- Body** CW617N (EN 12165) CuZn40Pb2 T.E.A. Plus plated
- Ball** CW617N (EN 12165) CuZn40Pb2 T.E.A. Plus plated
- Stem** CW614N (EN 12164) CuZn39Pb3
- Stuffing box** CW614N (EN 12164) CuZn39Pb3 Adjustable
- Seat** 2 x PTFE + 1 x PTFE seal on the stem
- O-Rings** 2 x FKM
- Handle** Painted aluminum

**PRESSURE DROP DIAGRAM**



<b>Dim.</b>	<b>1" x 3/4"</b>
<b>Kv</b>	6.6
<b>PN</b>	10

**TEMPERATURE / PRESSURE DIAGRAM**



**RECOMMENDED WORKING TEMPERATURE/PRESSURE LIMITS**

10 bar – 100°C – non shock